

**Document Title**  
**8Gbit (1Gx8bit) NAND Flash Memory**

**Revision History**

| Revision No.               | History  | Draft Date                 | Remark             |                         |               |               |       |               |             |               |    |    |    |               |             |
|----------------------------|--|----------------------------|--------------------|-------------------------|---------------|---------------|-------|---------------|-------------|---------------|----|----|----|---------------|-------------|
| 0.0                        | Initial Draft.   | May. 13. 2005              | Preliminary        |                         |               |               |       |               |             |               |    |    |    |               |             |
| 0.1                        | 1) Add Errata<br><table border="1" style="margin-left: 20px;"> <thead> <tr> <th></th> <th style="text-align: center;">tWH</th> <th style="text-align: center;">tWP</th> <th style="text-align: center;">tWC</th> </tr> </thead> <tbody> <tr> <td style="text-align: center;">Specification</td> <td style="text-align: center;">15</td> <td style="text-align: center;">25</td> <td style="text-align: center;">50</td> </tr> <tr> <td style="text-align: center;">Relaxed value</td> <td style="text-align: center;">20</td> <td style="text-align: center;">35</td> <td style="text-align: center;">60</td> </tr> </tbody> </table>  |                            | tWH                | tWP                     | tWC           | Specification | 15    | 25            | 50          | Relaxed value | 20 | 35 | 60 | May. 23. 2005 | Preliminary |
|                            | tWH  | tWP                        | tWC                |                         |               |               |       |               |             |               |    |    |    |               |             |
| Specification              | 15   | 25                         | 50                 |                         |               |               |       |               |             |               |    |    |    |               |             |
| Relaxed value              | 20   | 35                         | 60                 |                         |               |               |       |               |             |               |    |    |    |               |             |
| 0.2                        | 1) Correct the valid Blocks Number.<br><table border="1" style="margin-left: 20px;"> <thead> <tr> <th></th> <th style="text-align: center;">Valid Blocks (max)</th> </tr> </thead> <tbody> <tr> <td style="text-align: center;">Before</td> <td style="text-align: center;">8,196</td> </tr> <tr> <td style="text-align: center;">After</td> <td style="text-align: center;">8,192</td> </tr> </tbody> </table>  |                            | Valid Blocks (max) | Before                  | 8,196         | After         | 8,192 | Jun. 13. 2005 | Preliminary |               |    |    |    |               |             |
|                            | Valid Blocks (max)   |                            |                    |                         |               |               |       |               |             |               |    |    |    |               |             |
| Before                     | 8,196  |                            |                    |                         |               |               |       |               |             |               |    |    |    |               |             |
| After                      | 8,192  |                            |                    |                         |               |               |       |               |             |               |    |    |    |               |             |
| 0.3                        | 1) Add tRSBY (Table11)<br>- tRSBY (Dummy Busy Time for Cache Read)<br>- tRSBY is 5us (typ.)<br>2) Edit figure 18, 19<br>3) Correct Extended Read Status Register Commands (Table. 19)  | Jun. 14. 2005              | Preliminary        |                         |               |               |       |               |             |               |    |    |    |               |             |
| 0.4                        | 1) Add TLGA package<br>- Figures & texts are added.<br>2) Correct the test Conditions (DC Characteristics table)<br><table border="1" style="margin-left: 20px;"> <tbody> <tr> <td style="text-align: center;">Test Conditions (ILI, ILO)</td> </tr> <tr> <td style="text-align: center;">VIN=VOUT=0 to 3.6V</td> </tr> <tr> <td style="text-align: center;">VIN=VOUT=0 to Vcc (max)</td> </tr> </tbody> </table> 3) Change AC Conditions table<br>4) Add tWW parameter ( tWW = 100ns, min)<br>- Texts & Figures are added.<br>- tWW is added in AC timing characteristics table.<br>5) Edit System Interface Using $\overline{CE}$ don't care Figures.<br>6) Correct Address Cycle Map. | Test Conditions (ILI, ILO) | VIN=VOUT=0 to 3.6V | VIN=VOUT=0 to Vcc (max) | Sep. 16. 2005 | Preliminary   |       |               |             |               |    |    |    |               |             |
| Test Conditions (ILI, ILO) |  |                            |                    |                         |               |               |       |               |             |               |    |    |    |               |             |
| VIN=VOUT=0 to 3.6V         |  |                            |                    |                         |               |               |       |               |             |               |    |    |    |               |             |
| VIN=VOUT=0 to Vcc (max)    |  |                            |                    |                         |               |               |       |               |             |               |    |    |    |               |             |

Revision History

-Continued-

| Revision No. | History   | Draft Date    | Remark      |                 |                 |       |       |  |     |     |     |        |      |      |      |       |      |      |      |  |    |        |      |       |      |  |      |      |      |                 |                 |     |     |     |     |     |        |    |    |    |      |      |       |    |    |    |      |      |               |             |
|--------------|---|---------------|-------------|-----------------|-----------------|-------|-------|--|-----|-----|-----|--------|------|------|------|-------|------|------|------|--|----|--------|------|-------|------|--|------|------|------|-----------------|-----------------|-----|-----|-----|-----|-----|--------|----|----|----|------|------|-------|----|----|----|------|------|---------------|-------------|
| 0.4          | <p>7) Correct PKG dimension (TSOP PKG)</p> <table border="1"> <thead> <tr> <th></th> <th>CP</th> </tr> </thead> <tbody> <tr> <td>Before</td> <td>0.050</td> </tr> <tr> <td>After</td> <td>0.100</td> </tr> </tbody> </table> <p>8) Delete the 1.8V device's features.<br/>9) Change AC Characteristics<br/>- Errata is deleted.</p> <table border="1"> <thead> <tr> <th></th> <th>tWC</th> <th>tWP</th> <th>tWH</th> </tr> </thead> <tbody> <tr> <td>Before</td> <td>60ns</td> <td>35ns</td> <td>20ns</td> </tr> <tr> <td>After</td> <td>50ns</td> <td>25ns</td> <td>15ns</td> </tr> </tbody> </table> <p>- tR is change</p> <table border="1"> <thead> <tr> <th></th> <th>tR</th> </tr> </thead> <tbody> <tr> <td>Before</td> <td>25us</td> </tr> <tr> <td>After</td> <td>30us</td> </tr> </tbody> </table> <p>10) Change DC Characteristics (Table 8)<br/>- Operation Current</p> <table border="1"> <thead> <tr> <th rowspan="2"></th> <th>Icc1</th> <th>Icc2</th> <th>Icc3</th> <th>I<sub>LI</sub></th> <th>I<sub>LO</sub></th> </tr> <tr> <th>Typ</th> <th>Typ</th> <th>Typ</th> <th>Max</th> <th>Max</th> </tr> </thead> <tbody> <tr> <td>Before</td> <td>30</td> <td>30</td> <td>30</td> <td>± 20</td> <td>± 20</td> </tr> <tr> <td>After</td> <td>40</td> <td>40</td> <td>40</td> <td>± 40</td> <td>± 40</td> </tr> </tbody> </table> |               | CP          | Before          | 0.050           | After | 0.100 |  | tWC | tWP | tWH | Before | 60ns | 35ns | 20ns | After | 50ns | 25ns | 15ns |  | tR | Before | 25us | After | 30us |  | Icc1 | Icc2 | Icc3 | I <sub>LI</sub> | I <sub>LO</sub> | Typ | Typ | Typ | Max | Max | Before | 30 | 30 | 30 | ± 20 | ± 20 | After | 40 | 40 | 40 | ± 40 | ± 40 | Sep. 16. 2005 | Preliminary |
|              | CP  |               |             |                 |                 |       |       |  |     |     |     |        |      |      |      |       |      |      |      |  |    |        |      |       |      |  |      |      |      |                 |                 |     |     |     |     |     |        |    |    |    |      |      |       |    |    |    |      |      |               |             |
| Before       | 0.050   |               |             |                 |                 |       |       |  |     |     |     |        |      |      |      |       |      |      |      |  |    |        |      |       |      |  |      |      |      |                 |                 |     |     |     |     |     |        |    |    |    |      |      |       |    |    |    |      |      |               |             |
| After        | 0.100   |               |             |                 |                 |       |       |  |     |     |     |        |      |      |      |       |      |      |      |  |    |        |      |       |      |  |      |      |      |                 |                 |     |     |     |     |     |        |    |    |    |      |      |       |    |    |    |      |      |               |             |
|              | tWC   | tWP           | tWH         |                 |                 |       |       |  |     |     |     |        |      |      |      |       |      |      |      |  |    |        |      |       |      |  |      |      |      |                 |                 |     |     |     |     |     |        |    |    |    |      |      |       |    |    |    |      |      |               |             |
| Before       | 60ns  | 35ns          | 20ns        |                 |                 |       |       |  |     |     |     |        |      |      |      |       |      |      |      |  |    |        |      |       |      |  |      |      |      |                 |                 |     |     |     |     |     |        |    |    |    |      |      |       |    |    |    |      |      |               |             |
| After        | 50ns  | 25ns          | 15ns        |                 |                 |       |       |  |     |     |     |        |      |      |      |       |      |      |      |  |    |        |      |       |      |  |      |      |      |                 |                 |     |     |     |     |     |        |    |    |    |      |      |       |    |    |    |      |      |               |             |
|              | tR  |               |             |                 |                 |       |       |  |     |     |     |        |      |      |      |       |      |      |      |  |    |        |      |       |      |  |      |      |      |                 |                 |     |     |     |     |     |        |    |    |    |      |      |       |    |    |    |      |      |               |             |
| Before       | 25us  |               |             |                 |                 |       |       |  |     |     |     |        |      |      |      |       |      |      |      |  |    |        |      |       |      |  |      |      |      |                 |                 |     |     |     |     |     |        |    |    |    |      |      |       |    |    |    |      |      |               |             |
| After        | 30us  |               |             |                 |                 |       |       |  |     |     |     |        |      |      |      |       |      |      |      |  |    |        |      |       |      |  |      |      |      |                 |                 |     |     |     |     |     |        |    |    |    |      |      |       |    |    |    |      |      |               |             |
|              | Icc1  | Icc2          | Icc3        | I <sub>LI</sub> | I <sub>LO</sub> |       |       |  |     |     |     |        |      |      |      |       |      |      |      |  |    |        |      |       |      |  |      |      |      |                 |                 |     |     |     |     |     |        |    |    |    |      |      |       |    |    |    |      |      |               |             |
|              | Typ   | Typ           | Typ         | Max             | Max             |       |       |  |     |     |     |        |      |      |      |       |      |      |      |  |    |        |      |       |      |  |      |      |      |                 |                 |     |     |     |     |     |        |    |    |    |      |      |       |    |    |    |      |      |               |             |
| Before       | 30  | 30            | 30          | ± 20            | ± 20            |       |       |  |     |     |     |        |      |      |      |       |      |      |      |  |    |        |      |       |      |  |      |      |      |                 |                 |     |     |     |     |     |        |    |    |    |      |      |       |    |    |    |      |      |               |             |
| After        | 40  | 40            | 40          | ± 40            | ± 40            |       |       |  |     |     |     |        |      |      |      |       |      |      |      |  |    |        |      |       |      |  |      |      |      |                 |                 |     |     |     |     |     |        |    |    |    |      |      |       |    |    |    |      |      |               |             |
| 0.5          | 1) Delete Concurrent Operation.   | Oct. 05. 2005 | Preliminary |                 |                 |       |       |  |     |     |     |        |      |      |      |       |      |      |      |  |    |        |      |       |      |  |      |      |      |                 |                 |     |     |     |     |     |        |    |    |    |      |      |       |    |    |    |      |      |               |             |



## FEATURES SUMMARY

### HIGH DENSITY NAND FLASH MEMORIES

- Cost effective solutions for mass storage applications

### NAND INTERFACE

- x8 bus width.
- Multiplexed Address/ Data
- Pinout compatibility for all densities

### SUPPLY VOLTAGE

- 3.3V device: VCC
- = 2.7 to 3.6V : HY27UH088G(2/D)M

### Memory Cell Array

= (2K+ 64) Bytes x 64 Pages x 8,192 Blocks

### PAGE SIZE

- x8 device : (2K + 64 spare) Bytes
- : HY27UH088G(2/D)M

### BLOCK SIZE

- x8 device: (128K + 4K spare) Bytes

### PAGE READ / PROGRAM

- Random access: 30us (max.)
- Sequential access: 50ns(min.)
- Page program time: 200us (typ.)

### COPY BACK PROGRAM MODE

- Fast page copy without external buffering

### CACHE PROGRAM MODE

- Internal Cache Register to improve the program throughput

### FAST BLOCK ERASE

- Block erase time: 2ms (Typ.)

### STATUS REGISTER

### ELECTRONIC SIGNATURE

- Manufacturer Code
- Device Code

### CHIP ENABLE DON'T CARE OPTION

- Simple interface with microcontroller

### AUTOMATIC PAGE 0 READ AT POWER-UP OPTION

- Boot from NAND support
- Automatic Memory Download

### SERIAL NUMBER OPTION

### HARDWARE DATA PROTECTION

- Program/Erase locked during Power transitions

### DATA INTEGRITY

- 100,000 Program/Erase cycles
- 10 years Data Retention

### PACKAGE

- HY27UH088G2M-T(P)
  - : 48-Pin TSOP1 (12 x 20 x 1.2 mm)
  - HY27UH088G2M-T (Lead)
  - HY27UH088G2M-TP (Lead Free)
- HY27UH088GDM-MP
  - : 52-TLGA (12 x 17 x 1.0mm)
  - HY27UH088GDH-MP (Lead Free)



## 1. SUMMARY DESCRIPTION

The HYNIX HY27UH088G(2/D)M series is a 1Gx8bit with spare 32Mx8 bit capacity. The device is offered in 3.3V Vcc Power Supply.

Its NAND cell provides the most cost-effective solution for the solid state mass storage market.

The memory is divided into blocks that can be erased independently so it is possible to preserve valid data while old data is erased.

The device contains 8192 blocks, composed by 64 pages consisting in two NAND structures of 32 series connected Flash cells.

A program operation allows to write the 2112-byte page in typical 200us and an erase operation can be performed in typical 2ms on a 128K-byte(X8 device) block.

Data in the page mode can be read out at 50ns cycle time per byte. The I/O pins serve as the ports for address and data input/output as well as command input. This interface allows a reduced pin count and easy migration towards different densities, without any rearrangement of footprint.

Commands, Data and Addresses are synchronously introduced using CE#, WE#, ALE and CLE input pin.

The on-chip Program/Erase Controller automates all program and erase functions including pulse repetition, where required, and internal verification and margining of data.

The modifying can be locked using the WP# input pin.

The output pin RB# (open drain buffer) signals the status of the device during each operation. In a system with multiple memories the RB# pins can be connected all together to provide a global status signal.

Even the write-intensive systems can take advantage of the HY27UH088G(2/D)M extended reliability of 100K program/erase cycles by providing ECC (Error Correcting Code) with real time mapping-out algorithm.

Optionally the chip could be offered with the CE# don't care function. This option allows the direct download of the code from the NAND Flash memory device by a microcontroller, since the CE# transitions do not stop the read operation.

The copy back function allows the optimization of defective blocks management: when a page program operation fails the data can be directly programmed in another page inside the same array section without the time consuming serial data insertion phase.

The cache program feature allows the data insertion in the cache register while the data register is copied into the flash array. This pipelined program operation improves the program throughput when long files are written inside the memory.

A cache read feature is also implemented. This feature allows to dramatically improve the read throughput when consecutive pages have to be streamed out.

This device includes also extra features like OTP/Unique ID area, Block Lock mechanism, Automatic Read at Power Up, Read ID2 extension.

The HYNIX HY27UH088G(2/D)M series is available in 48 - TSOP1 12 x 20 mm, 52-TLGA 12 x 17mm.

### 1.1 Product List

| PART NUMBER      | ORIZATION | VCC RANGE       | PACKAGE           |
|------------------|-----------|-----------------|-------------------|
| HY27UH088G(2/D)M | x8        | 2.7V - 3.6 Volt | 48TSOP1 / 52-TLGA |

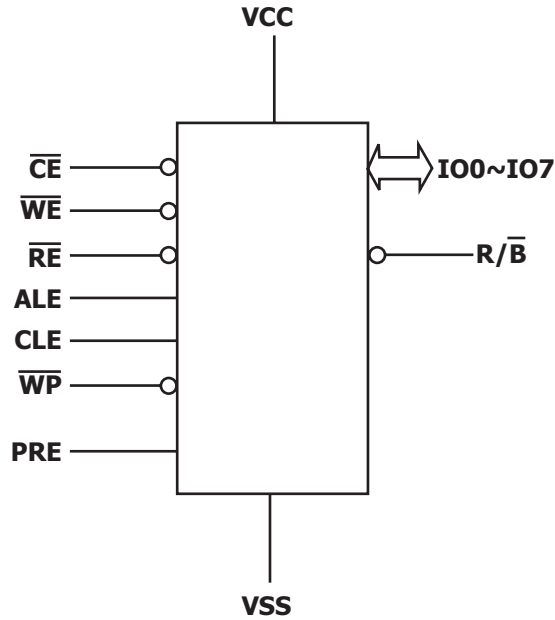


Figure1: Logic Diagram

|           |                                   |
|-----------|-----------------------------------|
| IO7 - IO0 | Data Input / Outputs              |
| CLE       | Command latch enable              |
| ALE       | Address latch enable              |
| CE#       | Chip Enable                       |
| RE#       | Read Enable                       |
| WE#       | Write Enable                      |
| WP#       | Write Protect                     |
| RB#       | Ready / Busy                      |
| Vcc       | Power Supply                      |
| Vss       | Ground                            |
| NC        | No Connection                     |
| PRE       | Power-On Read Enable, Lock Unlock |

Table 1: Signal Names

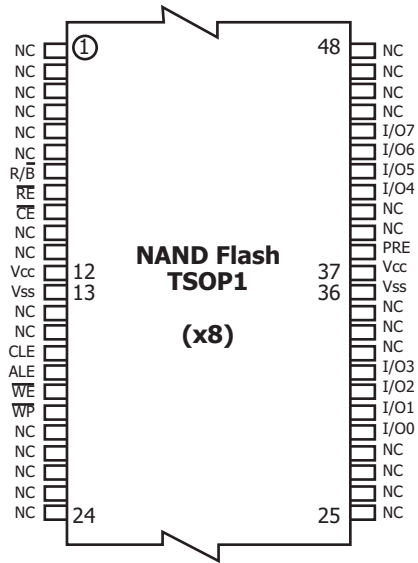


Figure 2. 48TSOP1 Contactions, x8 Device

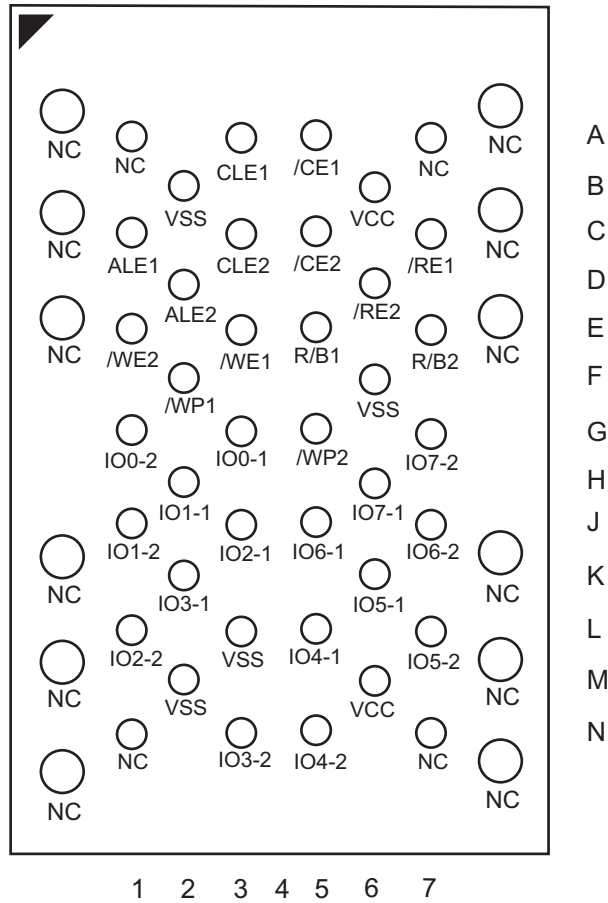


Figure 3. 52-ULGA Contactations, x8 Device, Dual interface  
 (Top view through package)

## 1.2 PIN DESCRIPTION

| Pin Name | Description  |
|----------|--|
| I00-I07  | <b>DATA INPUTS/OUTPUTS</b><br>The IO pins allow to input command, address and data and to output data during read / program operations. The inputs are latched on the rising edge of Write Enable (WE#). The I/O buffer float to High-Z when the device is deselected or the outputs are disabled.   |
| CLE      | <b>COMMAND LATCH ENABLE</b><br>This input activates the latching of the IO inputs inside the Command Register on the Rising edge of Write Enable (WE#).  |
| ALE      | <b>ADDRESS LATCH ENABLE</b><br>This input activates the latching of the IO inputs inside the Address Register on the Rising edge of Write Enable (WE#).  |
| CE#      | <b>CHIP ENABLE</b><br>This input controls the selection of the device. When the device is busy CE# low does not deselect the memory.   |
| WE#      | <b>WRITE ENABLE</b><br>This input acts as clock to latch Command, Address and Data. The IO inputs are latched on the rise edge of WE#.   |
| RE#      | <b>READ ENABLE</b><br>The RE# input is the serial data-out control, and when active drives the data onto the I/O bus. Data is valid tREA after the falling edge of RE# which also increments the internal column address counter by one.   |
| WP#      | <b>WRITE PROTECT</b><br>The WP# pin, when Low, provides an Hardware protection against undesired modify (program / erase) operations.  |
| RB#      | <b>READY BUSY</b><br>The Ready/Busy output is an Open Drain pin that signals the state of the memory.  |
| VCC      | <b>SUPPLY VOLTAGE</b><br>The VCC supplies the power for all the operations (Read, Write, Erase).   |
| VSS      | GROUND   |
| NC       | NO CONNECTION  |
| PRE      | To Enable and disable the Lock mechanism and Power On Auto Read. When PRE is a logic high, Block Lock mode and Power-On Auto-Read mode are enabled, and when PRE is a logic low, Block Lock mode and Power-On Auto-Read mode are disabled. Power-On Auto-Read mode is available only on 3.3V device.<br><b>Not using LOCK MECHANISM &amp; POWER-ON AUTO-READ, connect it Vss or leave it N.C</b> |

**Table 2: Pin Description**

**NOTE:**

1. A 0.1uF capacitor should be connected between the VCC Supply Voltage pin and the VSS Ground pin to decouple the current surges from the power supply. The PCB track widths must be sufficient to carry the currents required during program and erase operations.





|           | I00 | I01 | I02 | I03              | I04              | I05              | I06              | I07              |
|-----------|-----|-----|-----|------------------|------------------|------------------|------------------|------------------|
| 1st Cycle | A0  | A1  | A2  | A3               | A4               | A5               | A6               | A7               |
| 2nd Cycle | A8  | A9  | A10 | A11              | L <sup>(1)</sup> | L <sup>(1)</sup> | L <sup>(1)</sup> | L <sup>(1)</sup> |
| 3rd Cycle | A12 | A13 | A14 | A15              | A16              | A17              | A18              | A19              |
| 4th Cycle | A20 | A21 | A22 | A23              | A24              | A25              | A26              | A27              |
| 5th Cycle | A28 | A29 | A30 | L <sup>(1)</sup> | L <sup>(1)</sup> | L <sup>(1)</sup> | L <sup>(1)</sup> | L <sup>(1)</sup> |

Table 3: Address Cycle Map(x8)

**NOTE:**

1. L must be set to Low.

| FUNCTION              | 1st CYCLE | 2nd CYCLE | 3rd CYCLE | Acceptable command during busy |
|-----------------------|-----------|-----------|-----------|--------------------------------|
| READ 1                | 00h       | 30h       | -         |                                |
| READ FOR COPY-BACK    | 00h       | 35h       | -         |                                |
| READ ID               | 90h       | -         | -         |                                |
| RESET                 | FFh       | -         | -         | Yes                            |
| PAGE PROGRAM (start)  | 80h       | 10h       | -         |                                |
| COPY BACK PGM (start) | 85h       | 10h       | -         |                                |
| CACHE PROGRAM         | 80h       | 15h       | -         |                                |
| BLOCK ERASE           | 60h       | D0h       | -         |                                |
| READ STATUS REGISTER  | 70h       | -         | -         | Yes                            |
| RANDOM DATA INPUT     | 85h       | -         | -         |                                |
| RANDOM DATA OUTPUT    | 05h       | E0h       | -         |                                |
| CACHE READ START      | 00h       | 31h       | -         |                                |
| CACHE READ EXIT       | 34h       | -         | -         |                                |
| LOCK BLOCK            | 2Ah       | -         | -         |                                |
| LOCK TIGHT            | 2Ch       | -         | -         |                                |
| UNLOCK (start area)   | 23h       | -         | -         |                                |
| UNLOCK (end area)     | 24h       | -         | -         |                                |
| READ LOCK STATUS      | 7Ah       | -         | -         |                                |

Table 4: Command Set



| CLE | ALE | CE#              | WE#    | RE#     | WP#    | MODE                            |                         |
|-----|-----|------------------|--------|---------|--------|---------------------------------|-------------------------|
| H   | L   | L                | Rising | H       | X      | Read Mode                       | Command Input           |
| L   | H   | L                | Rising | H       | X      |                                 | Address Input(5 cycles) |
| H   | L   | L                | Rising | H       | H      | Write Mode                      | Command Input           |
| L   | H   | L                | Rising | H       | H      |                                 | Address Input(5 cycles) |
| L   | L   | L                | Rising | H       | H      | Data Input                      |                         |
| L   | L   | L <sup>(1)</sup> | H      | Falling | X      | Sequential Read and Data Output |                         |
| L   | L   | L                | H      | H       | X      | During Read (Busy)              |                         |
| X   | X   | X                | X      | X       | H      | During Program (Busy)           |                         |
| X   | X   | X                | X      | X       | H      | During Erase (Busy)             |                         |
| X   | X   | X                | X      | X       | L      | Write Protect                   |                         |
| X   | X   | H                | X      | X       | 0V/Vcc | Stand By                        |                         |

Table 5: Mode Selection

**NOTE:**

1. With the CE# don't care option CE# high during latency time does not stop the read operation

## 2. BUS OPERATION

There are six standard bus operations that control the device. These are Command Input, Address Input, Data Input, Data Output, Write Protect, and Standby.

Typically glitches less than 5 ns on Chip Enable, Write Enable and Read Enable are ignored by the memory and do not affect bus operations.

### 2.1 Command Input.

Command Input bus operation is used to give a command to the memory device. Command are accepted with Chip Enable low, Command Latch Enable High, Address Latch Enable low and Read Enable High and latched on the rising edge of Write Enable. Moreover for commands that starts a modifying operation (write/erase) the Write Protect pin must be high. See figure 4 and table 12 for details of the timings requirements. Command codes are always applied on IO7:0, disregarding the bus configuration (X8).

### 2.2 Address Input.

Address Input bus operation allows the insertion of the memory address. To insert the 30 addresses(x8) needed to access the 8Gbit 5 clock cycles are needed. Addresses are accepted with Chip Enable low, Address Latch Enable High, Command Latch Enable low and Read Enable high and latched on the rising edge of Write Enable. Moreover for commands that starts a modify operation (write/erase) the Write Protect pin must be high. See figure 5 and table 12 for details of the timings requirements. Addresses are always applied on IO7:0, disregarding the bus configuration (X8).

### 2.3 Data Input.

Data Input bus operation allows to feed to the device the data to be programmed. The data insertion is serially and timed by the Write Enable cycles. Data are accepted only with Chip Enable low, Address Latch Enable low, Command Latch Enable low, Read Enable High, and Write Protect High and latched on the rising edge of Write Enable. See figure 6 and table 12 for details of the timings requirements.

### 2.4 Data Output.

Data Output bus operation allows to read data from the memory array and to check the status register content, the lock status and the ID data. Data can be serially shifted out toggling the Read Enable pin with Chip Enable low, Write Enable High, Address Latch Enable low, and Command Latch Enable low. See figures 7,9,10 and table 12 for details of the timings requirements.

### 2.5 Write Protect.

Hardware Write Protection is activated when the Write Protect pin is low. In this condition modify operation do not start and the content of the memory is not altered. Write Protect pin is not latched by Write Enable to ensure the protection even during the power up.

### 2.6 Standby.

In Standby mode the device is deselected, outputs are disabled and Power Consumption is reduced.

### 3. DEVICE OPERATION

#### 3.1 Page Read.

Upon initial device power up, the device defaults to Read mode. This operation is also initiated by writing 00h and 30h to the command register along with five address cycles. In two consecutive read operations, the second one doesn't need 00h command, which five address cycles and 30h command initiates that operation. Two types of operations are available : random read, serial page read. The random read mode is enabled when the page address is changed. The 2112 bytes (X8 device) of data within the selected page are transferred to the data registers in less than 30us(tR). The system controller may detect the completion of this data transfer (tR) by analyzing the output of R/B pin. Once the data in a page is loaded into the data registers, they may be read out in 50ns cycle time by sequentially pulsing RE#. The repetitive high to low transitions of the RE# clock make the device output the data starting from the selected column address up to the last column address.

The device may output random data in a page instead of the consecutive sequential data by writing random data output command.

The column address of next data, which is going to be out, may be changed to the address which follows random data output command.

Random data output can be operated multiple times regardless of how many times it is done in a page.

#### 3.2 Page Program.

The device is programmed basically by page, but it does allow multiple partial page programming of a word or consecutive bytes up to 2112 (X8 device), in a single page program cycle. The number of consecutive partial page programming operation within the same page without an intervening erase operation must not exceed 4 times for main array (X8 device:1time/512byte) and 4 times for spare array (X8 device:1time/16byte).

**The addressing should be done in sequential order in a block**<sup>1</sup>. A page program cycle consists of a serial data loading period in which up to 2112bytes (X8 device) of data may be loaded into the data register, followed by a non-volatile programming period where the loaded data is programmed into the appropriate cell.

The serial data loading period begins by inputting the Serial Data Input command (80h), followed by the five cycle address inputs and then serial data. The words other than those to be programmed do not need to be loaded. The device supports random data input in a page. The column address of next data, which will be entered, may be changed to the address which follows random data input command (85h). Random data input may be operated multiple times regardless of how many times it is done in a page.

The Page Program confirm command (10h) initiates the programming process. Writing 10h alone without previously entering the serial data will not initiate the programming process. The internal write state controller automatically executes the algorithms and timings necessary for program and verify, thereby freeing the system controller for other tasks. Once the program process starts, the Read Status Register command may be entered to read the status register. The system controller can detect the completion of a program cycle by monitoring the RB# output, or the Status bit (I/O 6) of the Status Register. Only the Read Status command and Reset command are valid while programming is in progress. When the Page Program is complete, the Write Status Bit (I/O 0) may be checked. The internal write verify detects only errors for "1"s that are not successfully programmed to "0"s. The command register remains in Read Status command mode until another valid command is written to the command register. Figure 12 details the sequence.

### 3.3 Block Erase.

The Erase operation is done on a block basis. Block address loading is accomplished in two cycles initiated by an Erase Setup command (60h). Only address A18 to A30 (X8) is valid while A12 to A17 (X8) is ignored. The Erase Confirm command (D0h) following the block address loading initiates the internal erasing process. This two-step sequence of setup followed by execution command ensures that memory contents are not accidentally erased due to external noise conditions.

At the rising edge of WE# after the erase confirm command input, the internal write controller handles erase and erase-verify.

Once the erase process starts, the Read Status Register command may be entered to read the status register. The system controller can detect the completion of an erase by monitoring the RB# output, or the Status bit (I/O 6) of the Status Register. Only the Read Status command and Reset command are valid while erasing is in progress. When the erase operation is completed, the Write Status Bit (I/O 0) may be checked.

Figure 16 details the sequence.

### 3.4 Copy-Back Program.

The copy-back program is configured to quickly and efficiently rewrite data stored in one page without utilizing an external memory. Since the time-consuming cycles of serial access and re-loading cycles are removed, the system performance is improved. The benefit is especially obvious when a portion of a block is updated and the rest of the block also need to be copied to the newly assigned free block. The operation for performing a copy-back program is a sequential execution of page-read without serial access and copying-program with the address of destination page. A read operation with "35h" command and the address of the source page moves the whole 2112byte (X8 device) data into the internal data buffer. As soon as the device returns to Ready state, Copy Back command (85h) with the address cycles of destination page may be written. The Program Confirm command (10h) is required to actually begin the programming operation. Data input cycle for modifying a portion or multiple distant portions of the source page is allowed as shown in Figure 15.

**"When there is a program-failure at Copy-Back operation, error is reported by pass/fail status. But, if Copy-Back operations are accumulated over time, bit error due to charge loss is not checked by external error detection/correction scheme. For this reason, two bit error correction is recommended for the use of Copy-Back operation."**

Figure 14 shows the command sequence for the copy-back operation.

### 3.5 Read Status Register.

The device contains a Status Register which may be read to find out whether read, program or erase operation is completed, and whether the program or erase operation is completed successfully. After writing 70h command to the command register, a read cycle outputs the content of the Status Register to the I/O pins on the falling edge of CE# or RE#, whichever occurs last. This two line control allows the system to poll the progress of each device in multiple memory connections even when RB# pins are common-wired. RE# or CE# does not need to be toggled for updated status. Refer to table 15 for specific Status Register definitions. The command register remains in Status Read mode until further commands are issued to it. Therefore, if the status register is read during a random read cycle, the read command (00h) should be given before starting read cycles. See figure 8 for details of the Read Status operation.

### 3.6 Read ID.

The device contains a product identification mode, initiated by writing 90h to the command register, followed by an address input of 00h. Four read cycles sequentially output the manufacturer code (ADh), and the device code and 00h(don't care), 4th cycle ID, respectively. The command register remains in Read ID mode until further commands are issued to it. Figure 17 shows the operation sequence, while table 14, 15, 16 explain the byte meaning.

### 3.7 Reset.

The device offers a reset feature, executed by writing FFh to the command register. When the device is in Busy state during random read, program or erase mode, the reset operation will abort these operations. The contents of memory cells being altered are no longer valid, as the data will be partially programmed or erased. The command register is cleared to wait for the next command, and the Status Register is cleared to value E0h when WP# is high. Refer to table 13 for device status after reset operation. If the device is already in reset state a new reset command will not be accepted by the command register. The RB# pin transitions to low for tRST after the Reset command is written. Refer to figure 27.

### 3.8 Cache Program.

Cache Program is an extension of Page Program, which is executed with 2112byte (X8 device) data registers, and is available only within a block. Since the device has 1 page of cache memory, serial data input may be executed while data stored in data register are programmed into memory cell. After writing the first set of data up to 2112byte (X8 device) into the selected cache registers, Cache Program command (15h) instead of actual Page Program (10h) is input to make cache registers free and to start internal program operation. To transfer data from cache registers to data registers, the device remains in Busy state for a short period of time (tCBSY) and has its cache registers ready for the next data-input while the internal programming gets started with the data loaded into data registers. Read Status command (70h) may be issued to find out when cache registers become ready by polling the Cache-Busy status bit (I/O 6). Pass/fail status of only the previous page is available upon the return to Ready state. When the next set of data is input with the Cache Program command, tCBSY is affected by the progress of pending internal programming. The programming of the cache registers is initiated only when the pending program cycle is finished and the data registers are available for the transfer of data from cache registers. The status bit (I/O5) for internal Ready/Busy may be polled to identify the completion of internal programming.

If the system monitors the progress of programming only with RB#, the last page of the target programming sequence must be programmed with actual Page Program command (10h). If the Cache Program command (15h) is used instead, status bit (I/O5) must be polled to find out when the last programming is actually finished before starting other operations such as read. Pass/fail status is available in two steps. I/O 1 returns with the status of the previous page upon Ready or I/O6 status bit changing to "1", and later I/O 0 with the status of current page upon true Ready (returning from internal programming) or I/O 5 status bit changing to "1". I/O 1 may be read together when I/O 0 is checked. See figure 15 for more details.

**NOTE :** Since programming the last page does not employ caching, the program time has to be that of Page Program.

However, if the previous program cycle with the cache data has not finished, the actual program cycle of the last page is initiated only after completion of the previous cycle, which can be expressed as the following formula.

tPROG= Program time for the last page+ Program time for the ( last -1 )th page -  
(Program command cycle time + Last page data loading time)

### 3.9 Cache Read

Cache read operation allows automatic download of consecutive pages, up to the whole device. Immediately after 1st latency end, while user can start reading out data, device internally starts reading following page.

Start address of 1st page is at page start (A<10:0>=00h), after 1st latency time ( $t_r$ ), automatic data download will be uninterrupted. In fact latency time is 30us, while download of a page require at least 120us for x8 device.

Cache read operation command is like standard read, except for confirm code (30h for standard read, 31h for cache read) user can check operation status using :

- RB# ( '0' means latency ongoing, download not possible, '1' means download of n page possible, even if device internally is active on n+1 page
- Status register (SR<6> behave like RB#, SR<5> is '0' when device is internally reading and '1' when device is idle)

To exit cache read operation a cache read exit command (34h) must be issued. this command can be given any time (both device idle and reading).

If device is active (SR<5>=0) it will go idle within 5us, while if it is not active, device itself will go busy for a time shorter than  $t_{RBSY}$  before becoming again idle and ready to accept any further commands.

If user arrives reading last byte/word of the memory array, then has to stop by giving a cache read exit command.

Random data output is not available in cache read.

Cache read operation must be done only block by block if system needs to avoid reading also from invalid blocks.

## 4. OTHER FEATURES

### 4.1 Data Protection & Power On/Off Sequence

The device is designed to offer protection from any involuntary program/erase during power-transitions. An internal voltage detector disables all functions whenever Vcc is below about 2V(3.3V device). WP# pin provides hardware protection and is recommended to be kept at VIL during power-up and power-down. A recovery time of minimum 10us is required before internal circuit gets ready for any command sequences as shown in Figure 28. The two-step command sequence for program/erase provides additional software protection.

### 4.2 Ready/Busy.

The device has a Ready/Busy output that provides method of indicating the completion of a page program, erase, copy-back, cache program and random read completion. The RB# pin is normally high and goes to low when the device is busy (after a reset, read, program, erase operation). It returns to high when the internal controller has finished the operation. The pin is an open-drain driver thereby allowing two or more RB# outputs to be Or-tied. Because pull-up resistor value is related to tr(RB#) and current drain during busy (Ibusy), an appropriate value can be obtained with the following reference chart (Fig 29). Its value can be determined by the following guidance.

### 4.3 Lock Block Feature

**In high state of PRE pin, Block lock mode and Power on Auto read are enabled, otherwise it is regarded as NAND Flash without PRE pin.**

Block Lock mode is enabled while PRE pin state is high, which is to offer protection features for NAND Flash data. The Block Lock mode is divided into Unlock, Lock, Lock-tight operation. Consecutive blocks protects data allows those blocks to be locked or lock-tighten with no latency. This block lock scheme offers two levels of protection. The first allows software control (command input method) of block locking that is useful for frequently changed data blocks, while the second requires hardware control (WP# low pulse input method) before locking can be changed that is useful for protecting infrequently changed code blocks. The followings summarized the locking functionality.

- All blocks are in a locked state on power-up. Unlock sequence can unlock the locked blocks.
- The Lock-tight command locks blocks and prevents from being unlocked. Lock-tight state can be returned to lock state only by Hardware control(WP low pulse input).

#### 1. Block lock operation

##### 1) Lock

- Command Sequence: Lock block Command (2Ah). See Fig. 22.
- All blocks default to locked by power-up and Hardware control (WP# low pulse input)
- Partial block lock is not available; Lock block operation is based on all block unit
- Unlocked blocks can be locked by using the Lock block command, and a lock block's status can be changed to unlock or lock-tight using the appropriate commands
- On the program or erase operation in Locked or Lock-tighten block, Busy state holds 1~10us(tLBSY)



## 2) Unlock

- Command Sequence: Unlock block Command (23h) + Start block address + Command (24h) + End block address. See Fig. 23.
- Unlocked blocks can be programmed or erased.
- An unlocked block's status can be changed to the locked or lock-tighten state using the appropriate sequence of commands.
- Only one consecutive area can be released to unlock state from lock state; Unlocking multi area is not available.
- Start block address must be nearer to the logical LSB (Least Significant Bit) than End block address.
- One block is selected for unlocking block when Start block address is same as End block address.

## 3) Lock-tight

- Command Sequence: Lock-tight block Command (2Ch). See Fig. 24.
- Lock-tighten blocks offer the user an additional level of write protection beyond that of a regular lock block. A block that is lock-tighten can't have its state changed by software control, only by hardware control (WP# low pulse input); Unlocking multi area is not available
- Only locked blocks can be lock-tighten by lock-tight command.
- On the program or erase operation in Locked or Lock-tighten block, Busy state holds 1~10us(tLBSY)

## 2. Block lock Status Read

Block Lock Status can be read on a block basis to find out whether designated block is available to be programmed or erased. After writing 7Ah command to the command register and block address to be checked, a read cycle outputs the content of the Block Lock Status Register to the I/O pins on the falling edge of CE# or RE#, whichever occurs last. RE# or CE# does not need to be toggled for updated status. Block Lock Status Read is prohibited while the device is busy state.

Refer to table 17 for specific Status Register definitions. The command register remains in Block Lock Status Read mode until further commands are issued to it.

**In high state of PRE pin, write protection status can be checked by Block Lock Status Read (7Ah) while in low state by Status Read (70h).**

## 4.4 Power-On Auto-Read (Auto-Cache read)

The device is designed to offer automatic reading of the first page without command and address input sequence during power-on.

This feature is available in 2 possible configurations.

- Auto-Read : automatic download of page 0 block 0
- Auto-Cache read : automatic download starting from page 0 block 0. This cache read operation allows download of any portion of memory, without any latency time.

An internal voltage detector enables auto-page read functions when Vcc reaches about 1.8V. PRE pin does NOT control activation of auto- page read function. Auto-page read function is enabled only when PRE pin is logic high state. Serial access may be done after power-on without latency. Power-On Auto Read mode is available only on 3.3V device.

Alternatively the device can support an automatic cache read download, with all same functionalities stated just above for auto-read.

| Parameter          | Symbol | Min  | Typ | Max  | Unit   |
|--------------------|--------|------|-----|------|--------|
| Valid Block Number | NvB    | 8032 |     | 8192 | Blocks |

**Table 6: Valid Blocks Number**

| Symbol                         | Parameter  | Value       | Unit |
|--------------------------------|--|-------------|------|
|                                |  | 3.3V        |      |
| TA                             | Ambient Operating Temperature (Commercial Temperature Range) | 0 to 70     | ℃    |
|                                | Ambient Operating Temperature (Extended Temperature Range)   | -25 to 85   | ℃    |
|                                | Ambient Operating Temperature (Industrial Temperature Range) | -40 to 85   | ℃    |
| TBIAS                          | Temperature Under Bias                                       | -50 to 125  | ℃    |
| TSTG                           | Storage Temperature  | -65 to 150  | ℃    |
| V <sub>IO</sub> <sup>(2)</sup> | Input or Output Voltage                                      | -0.6 to 4.6 | V    |
| V <sub>CC</sub>                | Supply Voltage   | -0.6 to 4.6 | V    |

**Table 7: Absolute maximum ratings**

**NOTE:**

1. Except for the rating "Operating Temperature Range", stresses above those listed in the Table "Absolute Maximum Ratings" may cause permanent damage to the device. These are stress ratings only and operation of the device at these or any other conditions above those indicated in the Operating sections of this specification is not implied. Exposure to Absolute Maximum Rating conditions for extended periods may affect device reliability.
2. Minimum Voltage may undershoot to -2V during transition and for less than 20ns during transitions.

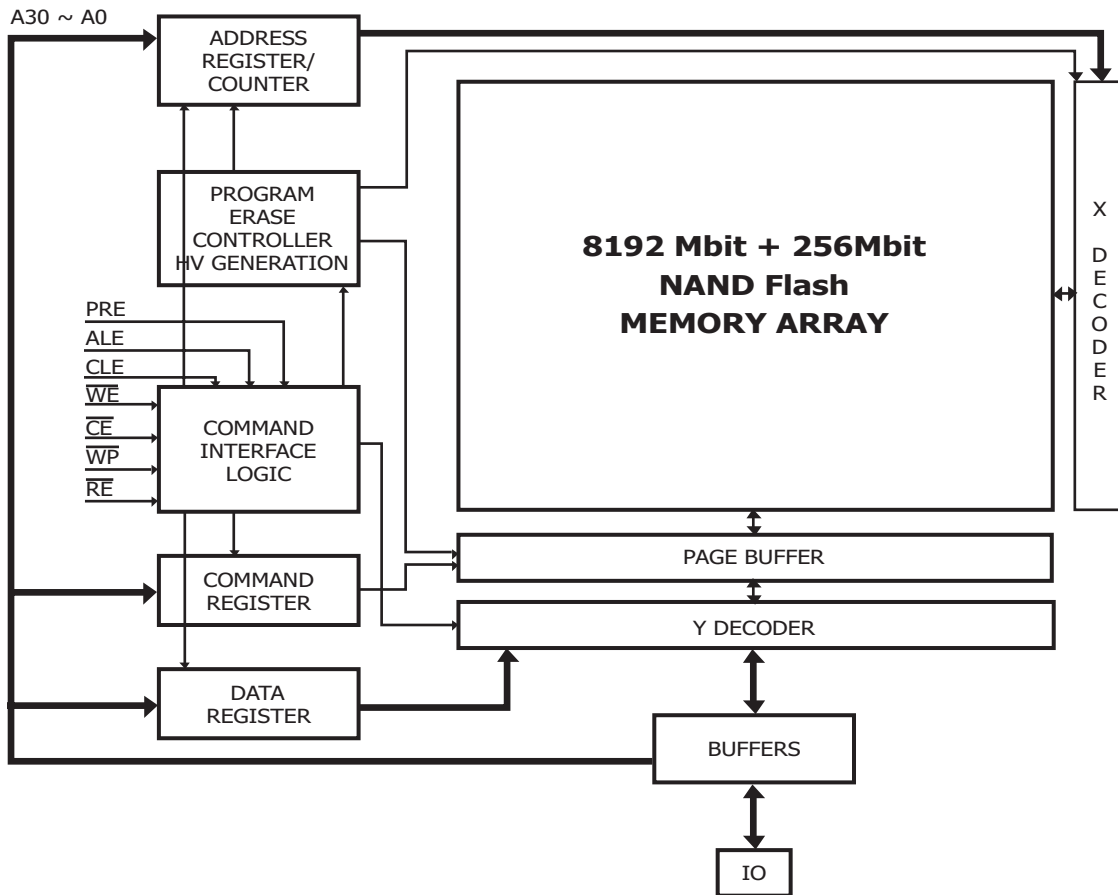


Figure 4: Block Diagram



| Parameter                 |                 | Symbol                   | Test Conditions  | 3.3Volt             |     |                      | Unit |
|---------------------------|-----------------|--------------------------|--|---------------------|-----|----------------------|------|
|                           |                 |                          |  | Min                 | Typ | Max                  |      |
| Operating Current         | Sequential Read | I <sub>CC1</sub>         | t <sub>RC</sub> =50ns<br>CE#=V <sub>IL</sub> , I <sub>OUT</sub> =0mA | -                   | 40  | 60                   | mA   |
|                           | Program         | I <sub>CC2</sub>         | -  | -                   | 40  | 60                   | mA   |
|                           | Erase           | I <sub>CC3</sub>         | -  | -                   | 40  | 60                   | mA   |
| Stand-by Current (TTL)    |                 | I <sub>CC4</sub>         | CE#=V <sub>IH</sub> ,<br>PRE=WP#=0V/V <sub>CC</sub>                  | -                   |     | 1.5                  | mA   |
| Stand-by Current (CMOS)   |                 | I <sub>CC5</sub>         | CE#=V <sub>CC</sub> -0.2,<br>PRE=WP#=0V/V <sub>CC</sub>              | -                   | 40  | 200                  | uA   |
| Input Leakage Current     |                 | I <sub>LI</sub>          | V <sub>IN</sub> =0 to V <sub>CC</sub> (max)                          | -                   | -   | ± 40                 | uA   |
| Output Leakage Current    |                 | I <sub>LO</sub>          | V <sub>OUT</sub> =0 to V <sub>CC</sub> (max)                         | -                   | -   | ± 40                 | uA   |
| Input High Voltage        |                 | V <sub>IH</sub>          | -  | 0.8xV <sub>CC</sub> | -   | V <sub>CC</sub> +0.3 | V    |
| Input Low Voltage         |                 | V <sub>IL</sub>          | -  | -0.3                | -   | 0.2xV <sub>CC</sub>  | V    |
| Output High Voltage Level |                 | V <sub>OH</sub>          | I <sub>OH</sub> =-400uA  | 2.4                 | -   | -                    | V    |
| Output Low Voltage Level  |                 | V <sub>OL</sub>          | I <sub>OL</sub> =2.1mA   | -                   | -   | 0.4                  | V    |
| Output Low Current (RB#)  |                 | I <sub>OL</sub><br>(RB#) | V <sub>OL</sub> =0.4V  | 8                   | 10  | -                    | mA   |

**Table 8: DC and Operating Characteristics**

| Parameter                      | Value                   |
|--------------------------------|-------------------------|
|                                | 3.3Volt                 |
| Input Pulse Levels             | 0V to V <sub>CC</sub>   |
| Input Rise and Fall Times      | 5ns                     |
| Input and Output Timing Levels | V <sub>CC</sub> /2      |
| Output Load (2.7V - 3.3V)      | 1 TTL GATE and CL=50pF  |
| Output Load (3.0V - 3.6V)      | 1 TTL GATE and CL=100pF |

**Table 9: AC Conditions**

| Item                       | Symbol           | Test Condition      | Min | Max | Unit |
|----------------------------|------------------|---------------------|-----|-----|------|
| Input / Output Capacitance | C <sub>I/O</sub> | V <sub>IL</sub> =0V | -   | 40  | pF   |
| Input Capacitance          | C <sub>IN</sub>  | V <sub>IN</sub> =0V | -   | 40  | pF   |

**Table 10: Pin Capacitance (TA=25 °C, F=1.0MHz)**

| Parameter   | Symbol            | Min | Typ | Max | Unit   |
|---|-------------------|-----|-----|-----|--------|
| Program Time                                      | t <sub>PROG</sub> | -   | 200 | 700 | us     |
| Dummy Busy Time for Cache Program                 | t <sub>CBSY</sub> | -   | 3   | 700 | us     |
| Dummy Busy Time for Cache Read                    | t <sub>RBSY</sub> | -   | 5   | -   | us     |
| Dummy Busy Time for the Lock or Lock-tight Block  | t <sub>LBSY</sub> | -   | 5   | 10  | us     |
| Number of partial Program Cycles in the same page | Main Array        | NOP | -   | 4   | Cycles |
|   | Spare Array       | NOP | -   | 4   | Cycles |
| Block Erase Time                                  | t <sub>BERS</sub> | -   | 2   | 3   | ms     |

**Table 11: Program / Erase / Read Characteristics**



Preliminary  
HY27UH088G(2/D)M Series  
8Gbit (1Gx8bit) NAND Flash

| Parameter   | Symbol              | 3.3Volt           |                         | Unit |
|---|---------------------|-------------------|-------------------------|------|
|   |                     | Min               | Max                     |      |
| CLE Setup time                                    | tCLS                | 0                 |                         | ns   |
| CLE Hold time                                     | tCLH                | 10                |                         | ns   |
| CE# setup time                                    | tCS                 | 0                 |                         | ns   |
| CE# hold time                                     | tCH                 | 10                |                         | ns   |
| WE# pulse width                                   | tWP                 | 25 <sup>(3)</sup> |                         | ns   |
| ALE setup time                                    | tALS                | 5                 |                         | ns   |
| ALE hold time                                     | tALH                | 10                |                         | ns   |
| Data setup time                                   | tDS                 | 20                |                         | ns   |
| Data hold time                                    | tDH                 | 10                |                         | ns   |
| Write Cycle time                                  | tWC                 | 50                |                         | ns   |
| WE# High hold time                                | tWH                 | 15                |                         | ns   |
| ALE to Data Loading Time                          | tADL <sup>(2)</sup> | 100               |                         | ns   |
| Data Transfer from Cell to register               | tR                  |                   | 30                      | us   |
| ALE to RE# Delay                                  | tAR                 | 10                |                         | ns   |
| CLE to RE# Delay                                  | tCLR                | 10                |                         | ns   |
| Ready to RE# Low                                  | tRR                 | 20                |                         | ns   |
| RE# Pulse Width                                   | tRP                 | 25                |                         | ns   |
| WE# High to Busy                                  | tWB                 |                   | 100                     | ns   |
| Read Cycle Time                                   | tRC                 | 50                |                         | ns   |
| RE# Access Time                                   | tREA                |                   | 30                      | ns   |
| RE# High to Output High Z                         | tRHZ                |                   | 30                      | ns   |
| CE# High to Output High Z                         | tCHZ                |                   | 20                      | ns   |
| RE# or CE# High to Output Hold                    | tOH                 | 10                |                         | ns   |
| RE# High Hold Time                                | tREH                | 15                |                         | ns   |
| Output High Z to RE# low                          | tIR                 | 0                 |                         | ns   |
| CE# Access Time                                   | tCEA                |                   | 45                      | ns   |
| WE# High to RE# low                               | tWHR                | 60                |                         | ns   |
| Device Resetting Time<br>(Read / Program / Erase) | tRST                |                   | 5/10/500 <sup>(1)</sup> | us   |
| Write Protection time                             | tWW <sup>(4)</sup>  | 100               |                         | ns   |

Table 12: AC Timing Characteristics

**NOTE:**

1. If Reset Command (FFh) is written at Ready state, the device goes into Busy for maximum 5us
2. tADL is the time from the WE# rising edge of final address cycle WE# rising edge of first data cycle.
3. If tCS is less than 10ns tWP must be minimum 35ns, otherwise, tWP may be minimum 25ns.
4. Program / Erase Enable Operation : tWP# high to tWE# High.  
Program / Erase Disable Operation : tWP# Low to tWE# High.



| IO | Page Program  | Block Erase   | Cache Program           | Read          | Cache Read              | CODING  |
|----|---------------|---------------|-------------------------|---------------|-------------------------|---|
| 0  | Pass / Fail   | Pass / Fail   | Pass / Fail (N)         | NA            |                         | Pass: '0' Fail: '1'   |
| 1  | NA            | NA            | Pass / Fail (N-1)       | NA            |                         | Pass: '0' Fail: '1'<br>(Only for Cache Program,<br>else Don't care) |
| 2  | NA            | NA            | NA                      | NA            |                         | -   |
| 3  | NA            | NA            | NA                      | NA            |                         | -   |
| 4  | NA            | NA            | NA                      | NA            |                         | -   |
| 5  | Ready/Busy    | Ready/Busy    | P/E/R<br>Controller Bit | Ready/Busy    | P/E/R<br>Controller Bit | Active: '0' Idle: '1'   |
| 6  | Ready/Busy    | Ready/Busy    | Cache Register<br>Free  | Ready/Busy    | Ready/Busy              | Busy: '0' Ready: '1'  |
| 7  | Write Protect | Write Protect | Write Protect           | Write Protect |                         | Protected: '0' Not<br>Protected: '1'                                |

**Table 13: Status Register Coding**

| DEVICE IDENTIFIER BYTE | DESCRIPTION                                     |
|------------------------|---|
| 1st                    | Manufacturer Code                               |
| 2nd                    | Device Identifier                               |
| 3rd                    | Don't care                                      |
| 4th                    | Page Size, Block Size, Spare Size, Organization |

**Table 14: Device Identifier Coding**



|                                     | Description | I07 | I06 | I05-4 | I03 | I02 | I01-0 |
|-------------------------------------|-------------|-----|-----|-------|-----|-----|-------|
| Page Size<br>(Without Spare Area)   | 1K          |     |     |       |     |     | 0 0   |
|                                     | 2K          |     |     |       |     |     | 0 1   |
|                                     | Reserved    |     |     |       |     |     | 1 0   |
|                                     | Reserved    |     |     |       |     |     | 1 1   |
| Spare Area Size<br>(Byte / 512Byte) | 8           |     |     |       |     | 0   |       |
|                                     | 16          |     |     |       |     | 1   |       |
| Serial Access Time                  | 50ns / 30ns | 0   |     |       | 0   |     |       |
|                                     | 25ns        | 1   |     |       | 0   |     |       |
|                                     | Reserved    | 0   |     |       | 1   |     |       |
|                                     | reserved    | 1   |     |       | 1   |     |       |
| Block Size<br>(Without Spare Area)  | 64K         |     |     | 0 0   |     |     |       |
|                                     | 128K        |     |     | 0 1   |     |     |       |
|                                     | 256K        |     |     | 1 0   |     |     |       |
|                                     | Reserved    |     |     | 1 1   |     |     |       |
| Organization                        | X8          |     | 0   |       |     |     |       |
|                                     | X16         |     | 1   |       |     |     |       |

**Table 15: 4th Byte of Device Identifier Description**

| Part Number  | Voltage | Bus Width | Manufacture Code | Device Code | 3rd code   | 4th code |
|--------------|---------|-----------|------------------|-------------|------------|----------|
| HY27UH088G2M | 3.3V    | x8        | ADh              | D3h         | don't care | 15h      |
| HY27UH088GDM | 3.3V    | x8        | ADh              | Dch         | don't care | 15h      |

**Table 16: Read ID Data Table**



|                    | I/O7~I/O3 | I/O2(Unlock) | I/O1(Lock) | I/O0(Lock-tight) |
|--------------------|-----------|--------------|------------|------------------|
| Read 1) block case | X         | 0            | 1          | 0                |
| Read 2) block case | X         | 1            | 1          | 0                |
| Read 3) block case | X         | 0            | 0          | 1                |
| Read 4) block case | X         | 1            | 0          | 1                |

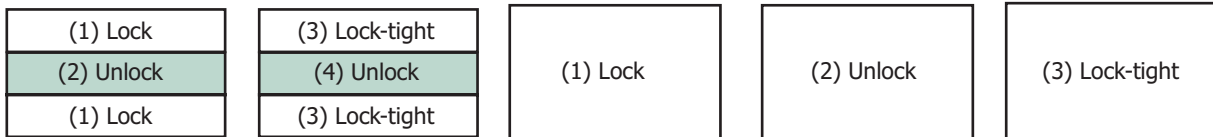


Table 17: Lock Status Code

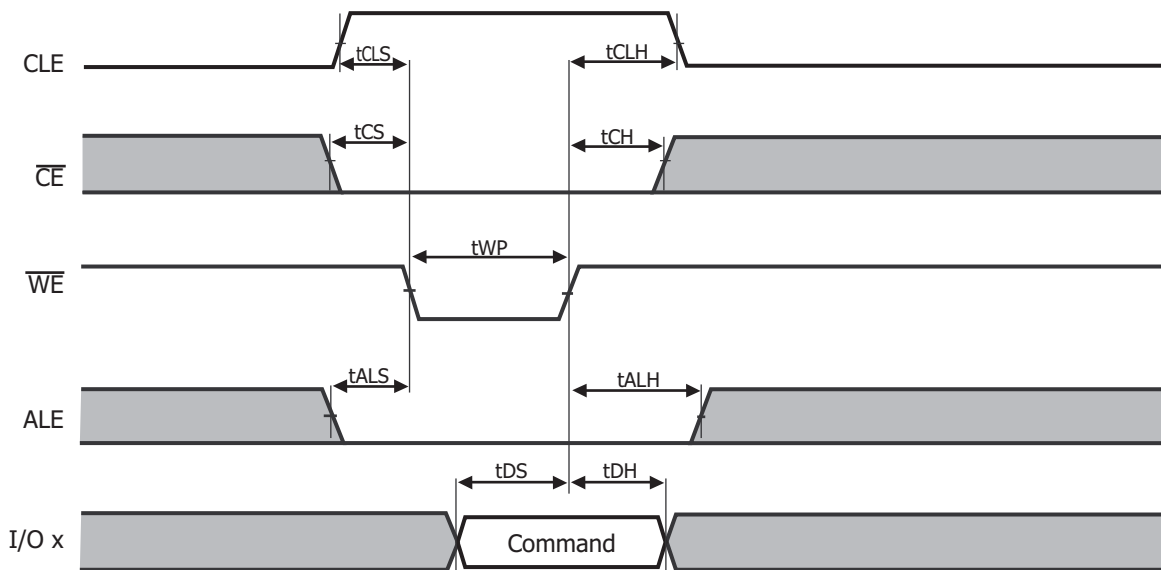


Figure 5: Command Latch Cycle

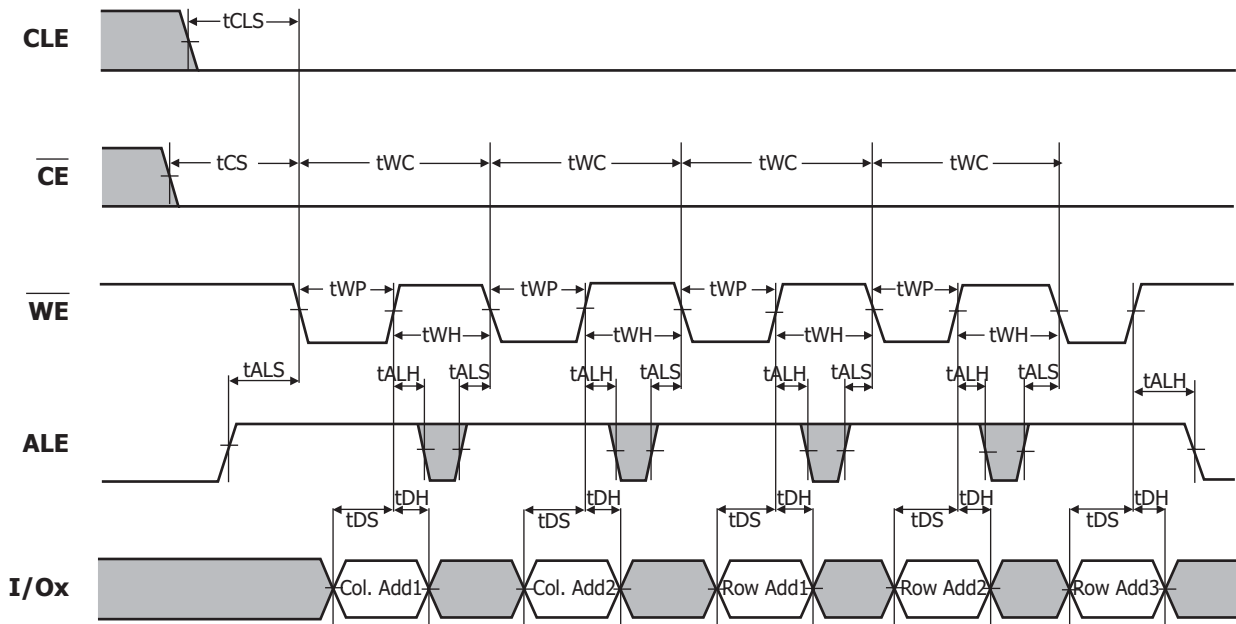


Figure 6: Address Latch Cycle

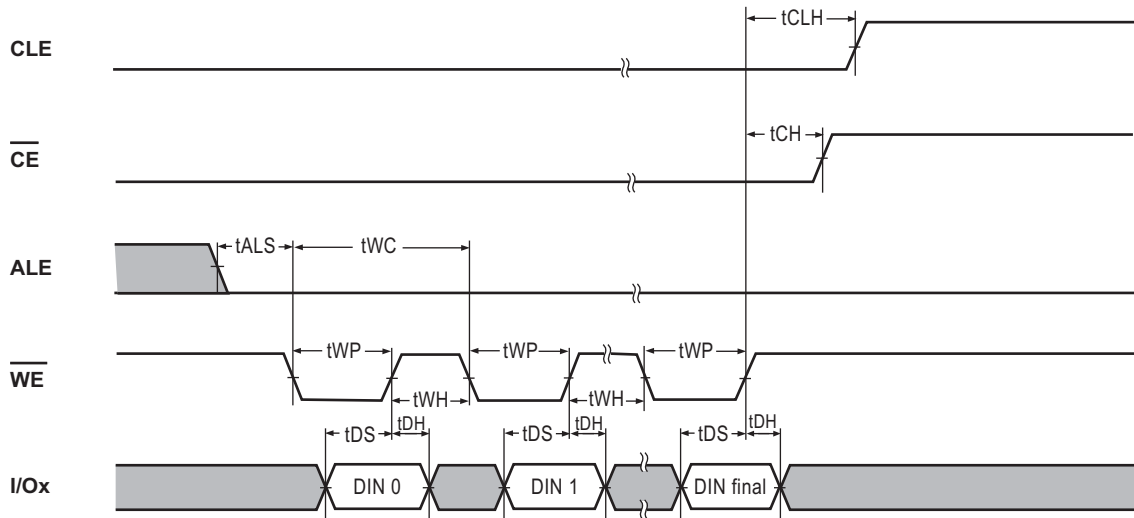
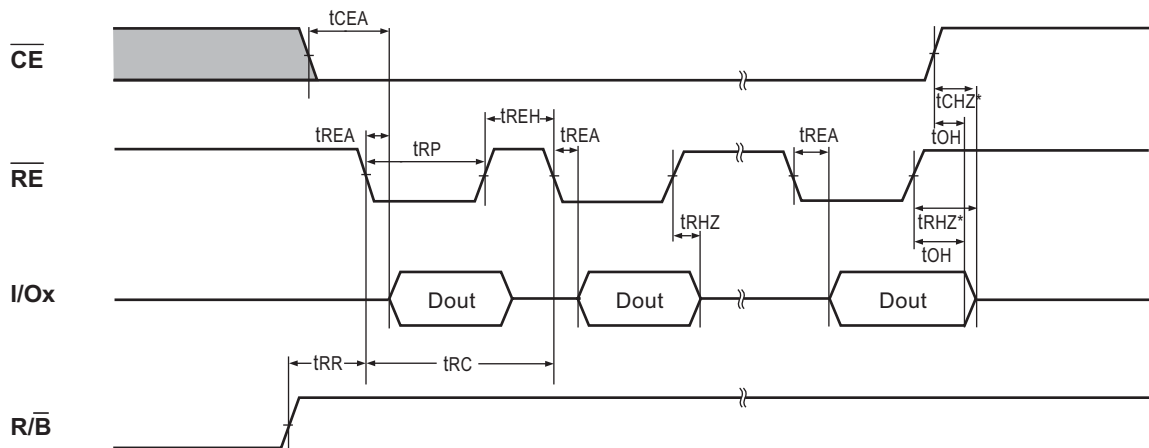


Figure 7. Input Data Latch Cycle



NOTES : Transition is measured  $\pm 200\text{mV}$  from steady state voltage with load.  
 This parameter is sampled and not 100% tested.

Figure 8: Sequential Out Cycle after Read (CLE=L, WE#=H, ALE=L)

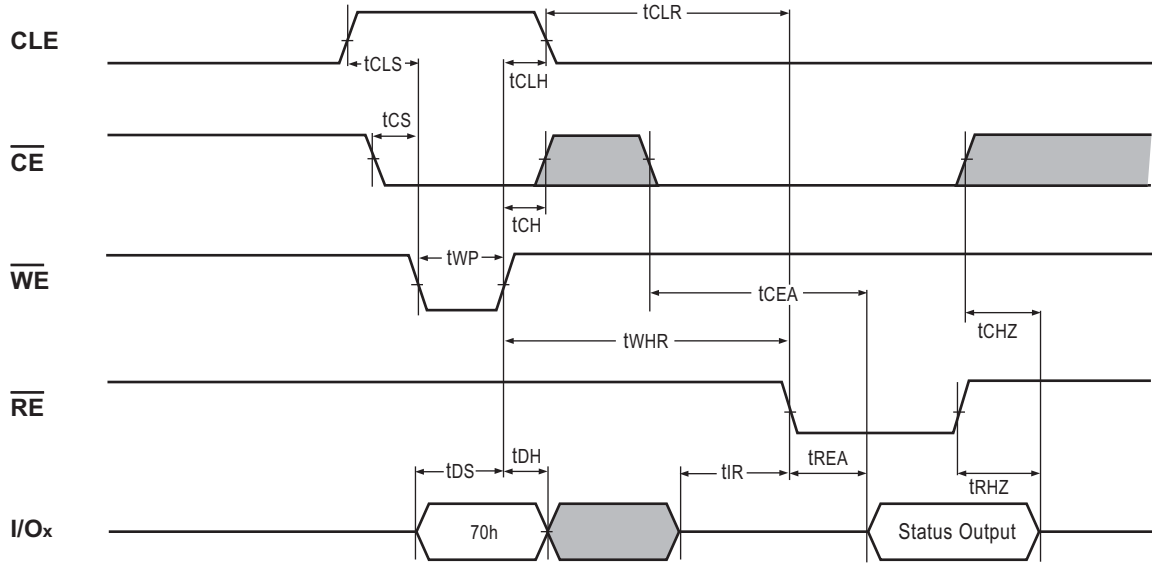


Figure 9: Status Read Cycle

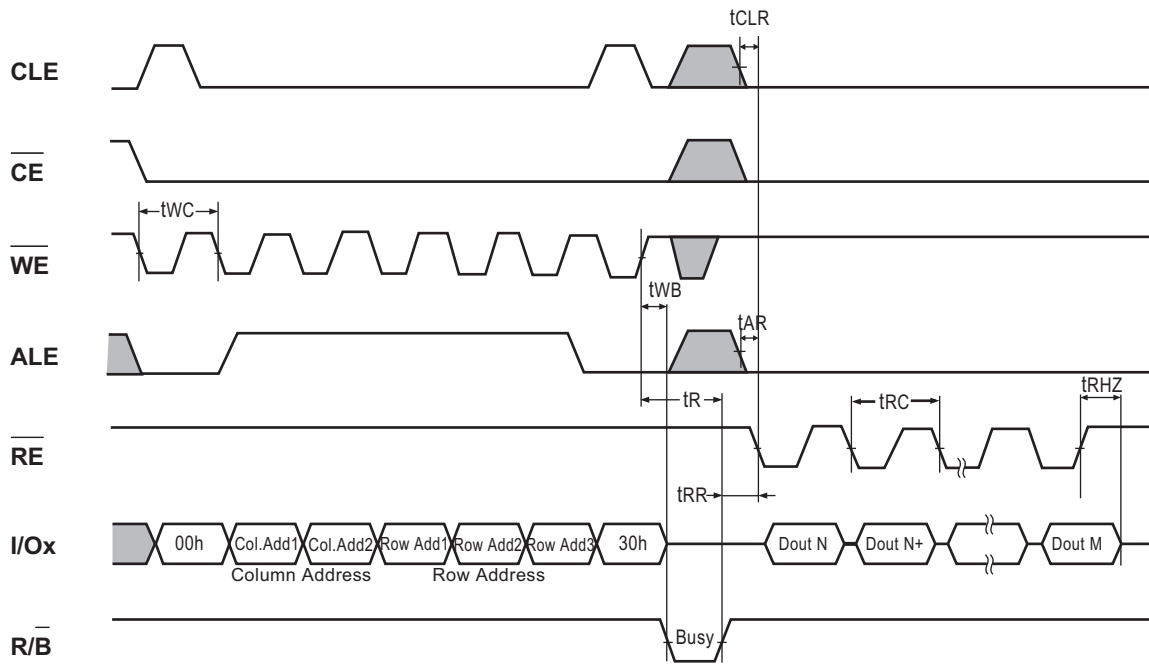


Figure 10: Read1 Operation (Read One Page)

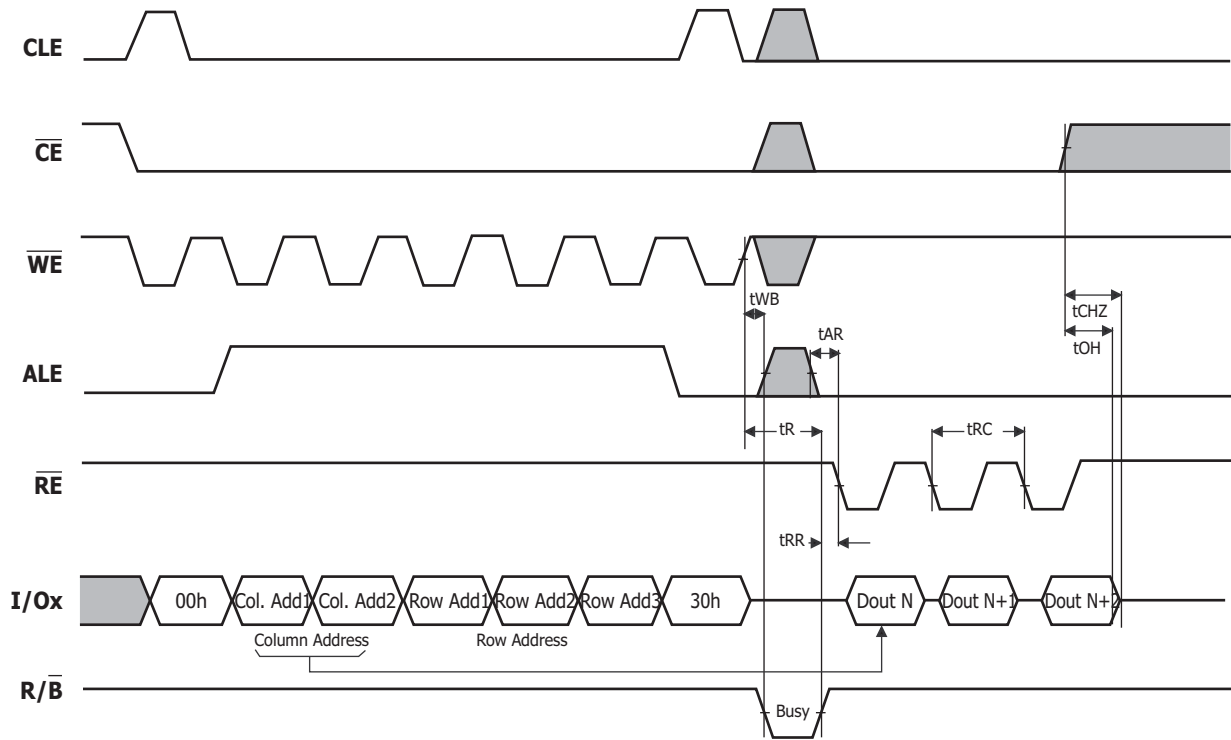


Figure 11: Read1 Operation intercepted by  $\overline{CE\#}$

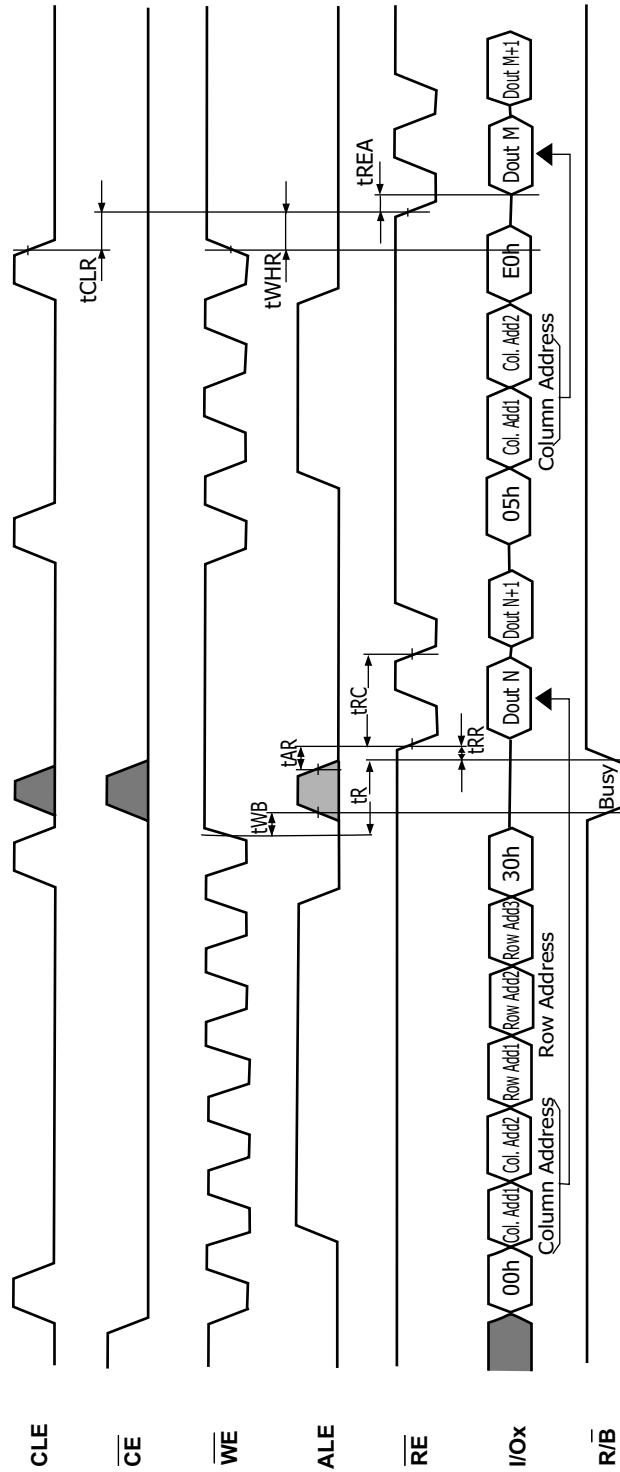
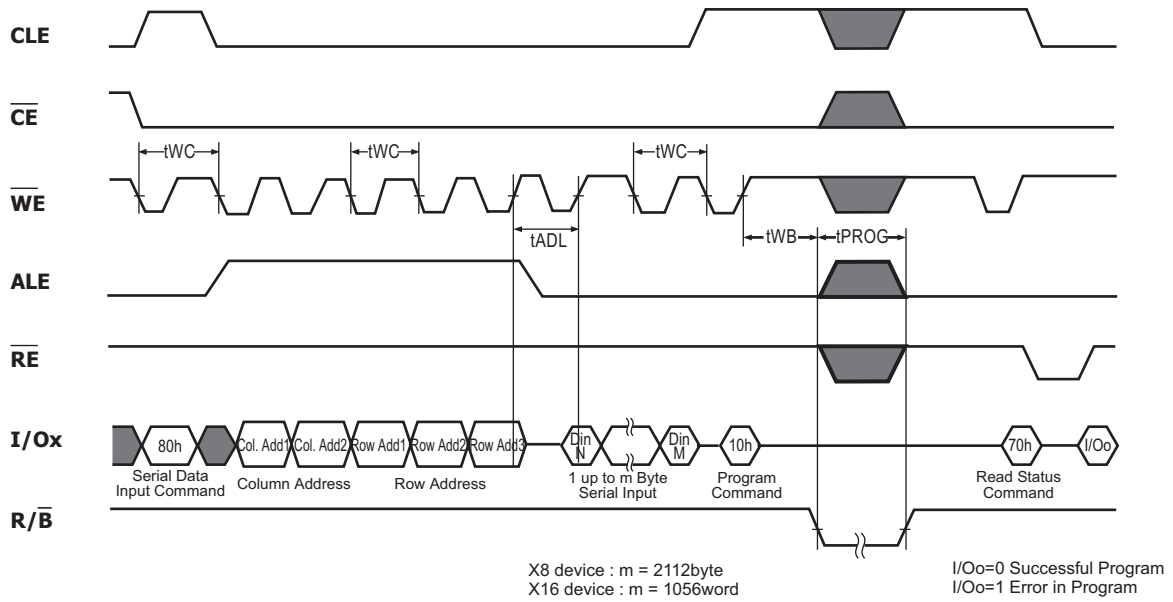
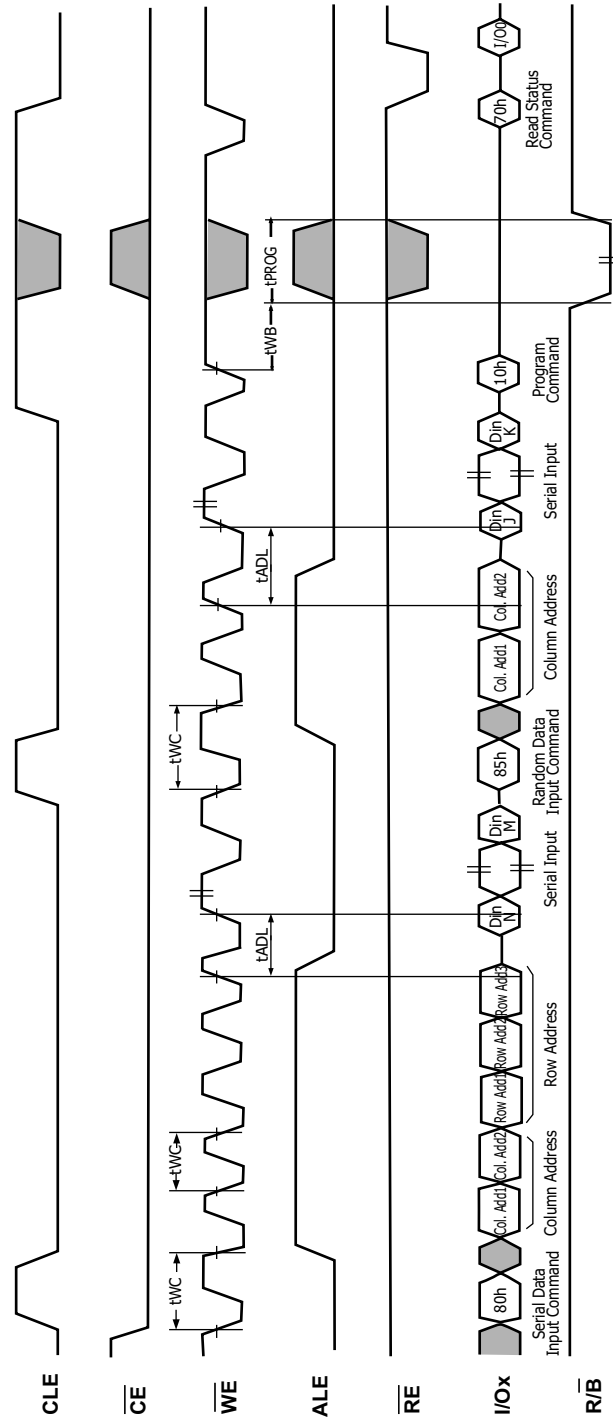


Figure 12 : Random Data output



**Notes:** tADL is the time from the  $\overline{WE}$  rising edge of final address cycle to the  $\overline{WE}$  rising edge of first data cycle.

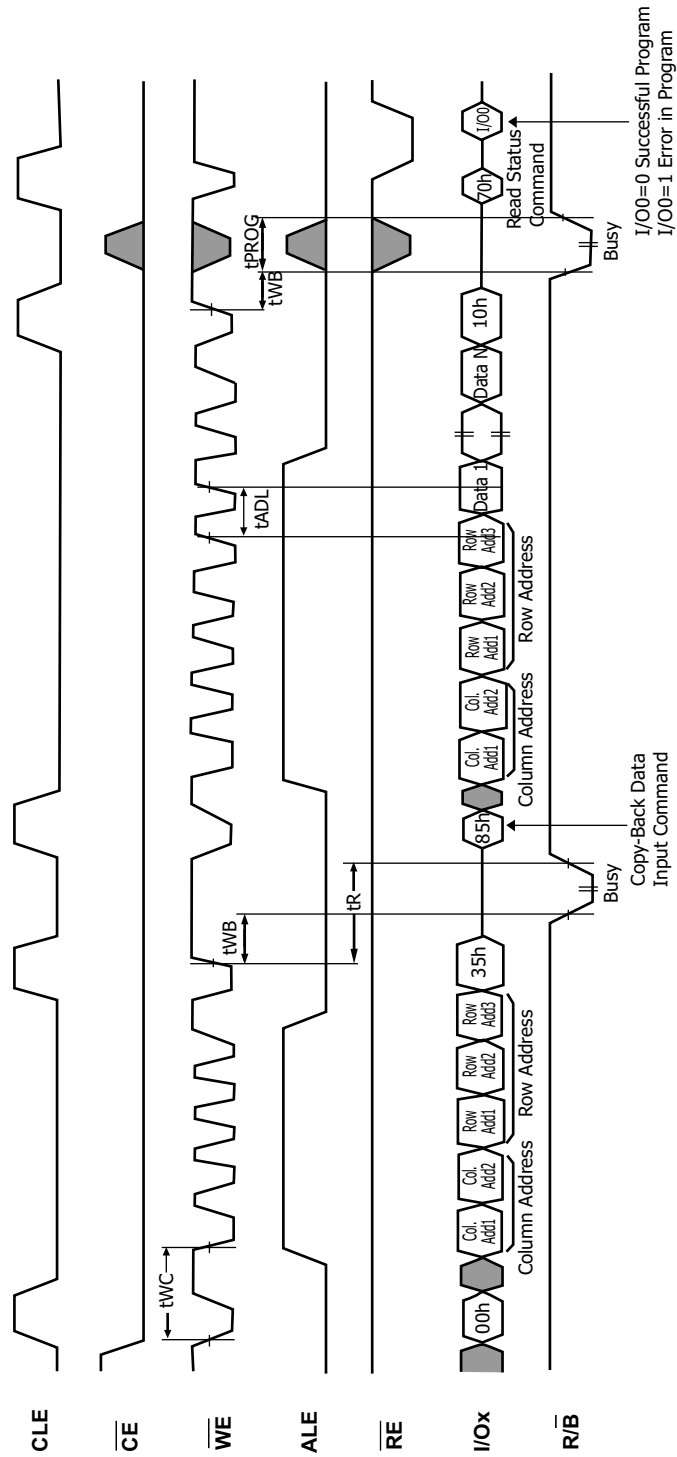
**Figure 13: Page Program Operation**



Notes: tADL is the time from the WE rising edge of final address cycle to the WE rising edge of first data cycle.

Figure 14 : Random Data In





Notes:  $t_{ADL}$  is the time from the  $\overline{WE}$  rising edge of final address cycle to the  $\overline{WE}$  rising edge of first data cycle.

Figure 15 : Copy Back Program



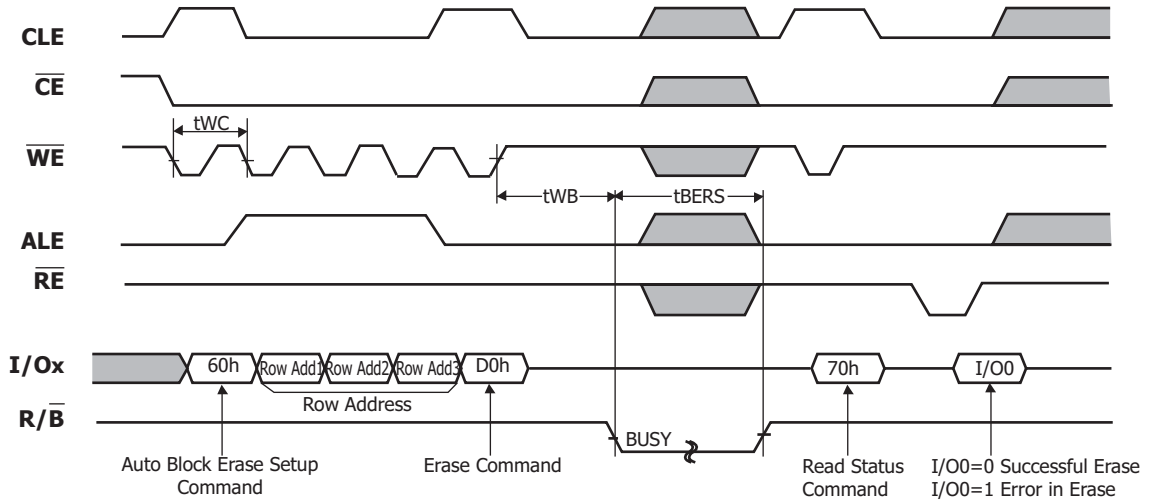


Figure 17: Block Erase Operation (Erase One Block)

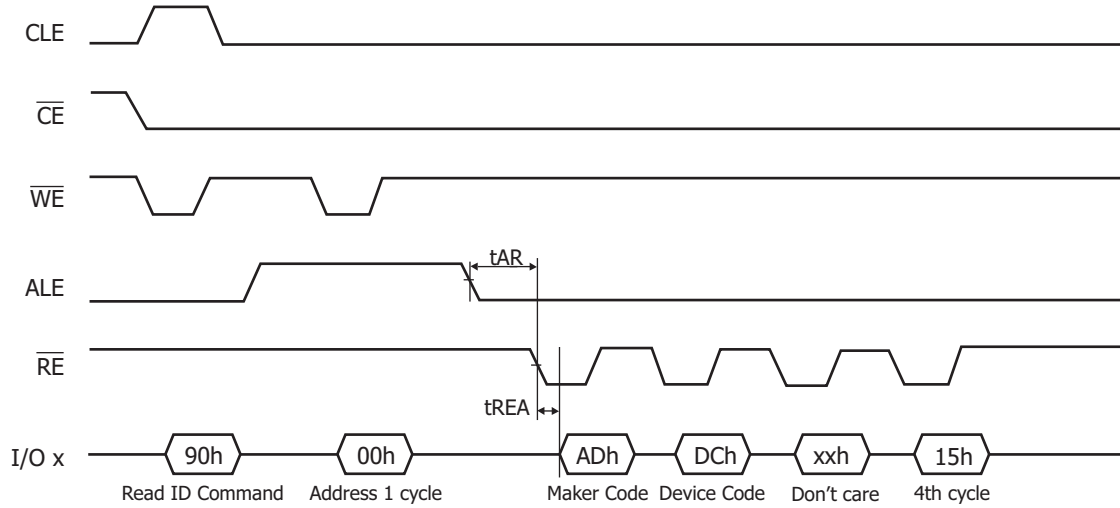


Figure 18: Read ID Operation

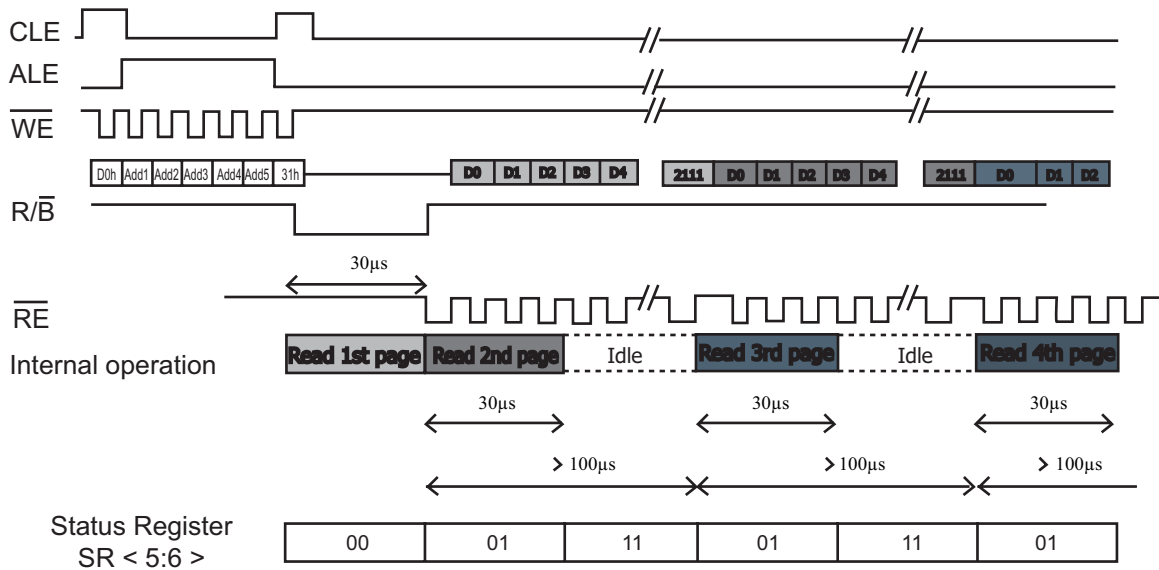


Figure 19: start address at page start :after 1st latency uninterrupted data flow

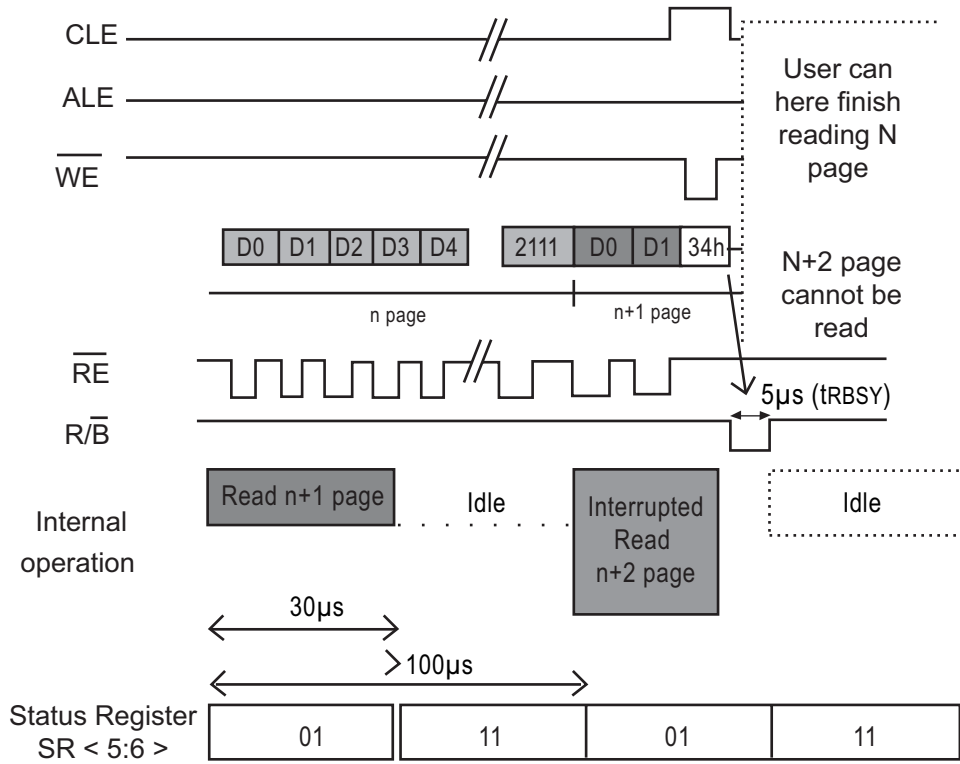
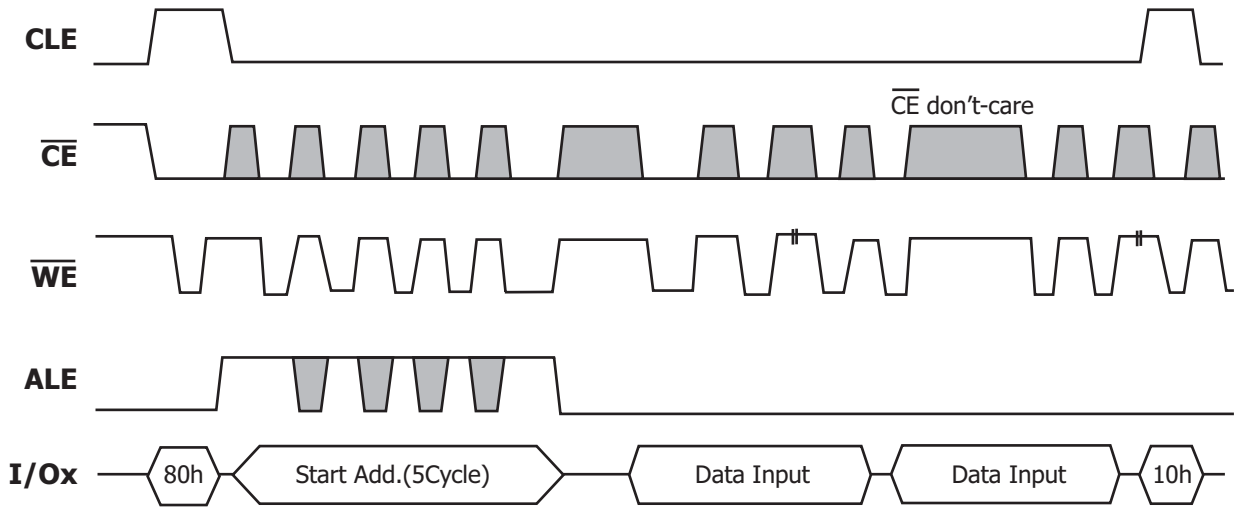


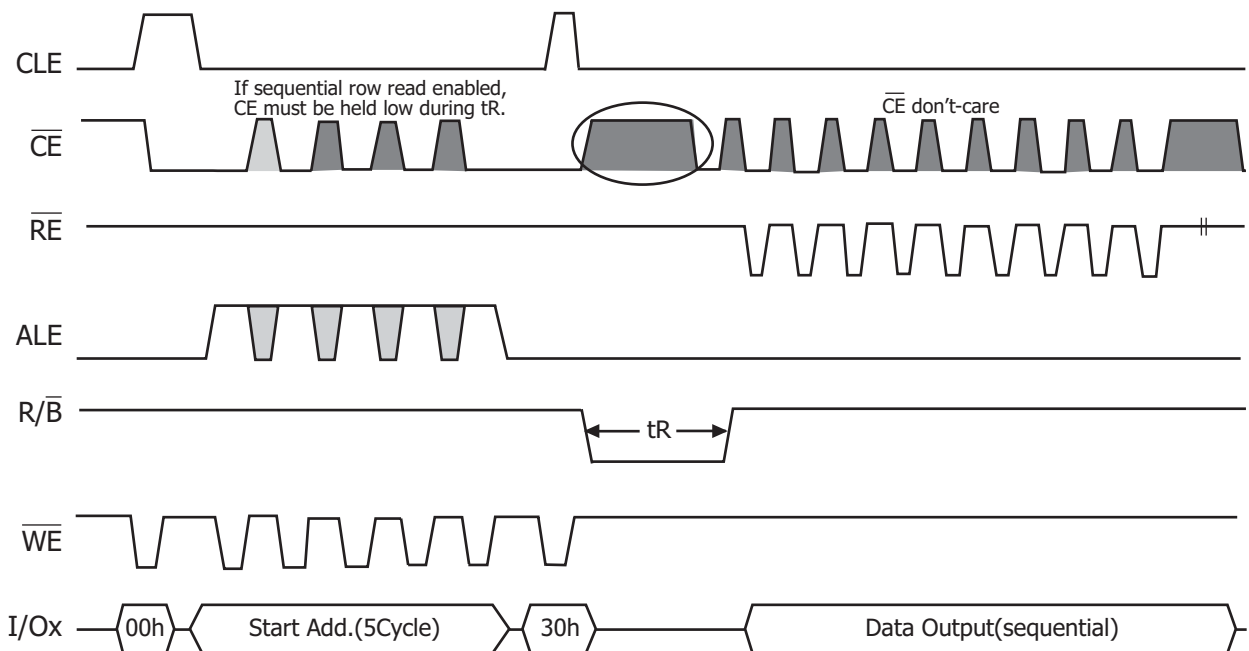
Figure 20: exit from cache read in 5us when device internally is reading

**System Interface Using  $\overline{CE}$  don't care**

To simplify system interface,  $\overline{CE}$  may be deasserted during data loading or sequential data-reading as shown below. So, it is possible to connect NAND Flash to a microprocessor. The only function that was removed from standard NAND Flash to make  $\overline{CE}$  don't care read operation was disabling of the automatic sequential read function.



**Figure 21: Program Operation with  $\overline{CE}$  don't-care.**



**Figure 22: Read Operation with  $\overline{CE}$  don't-care.**

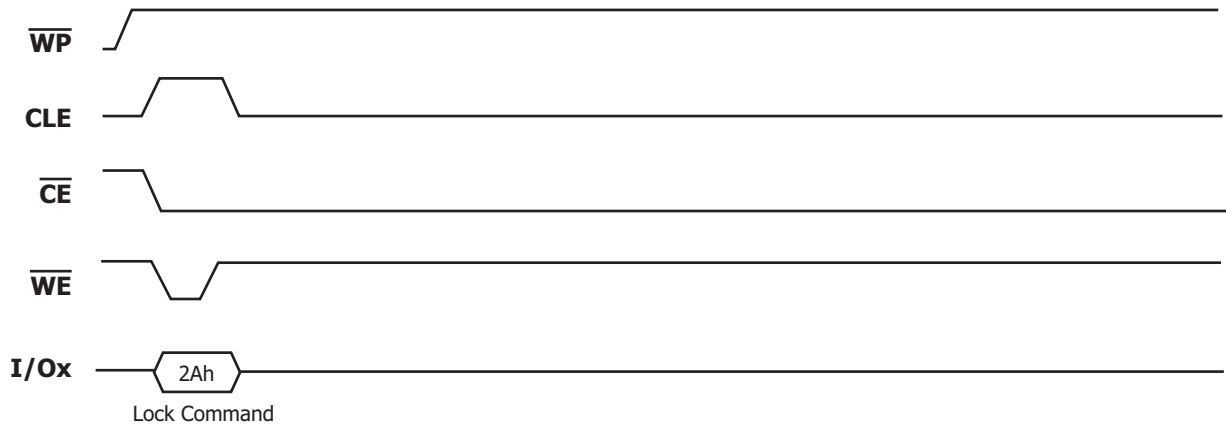


Figure 22: Lock Command

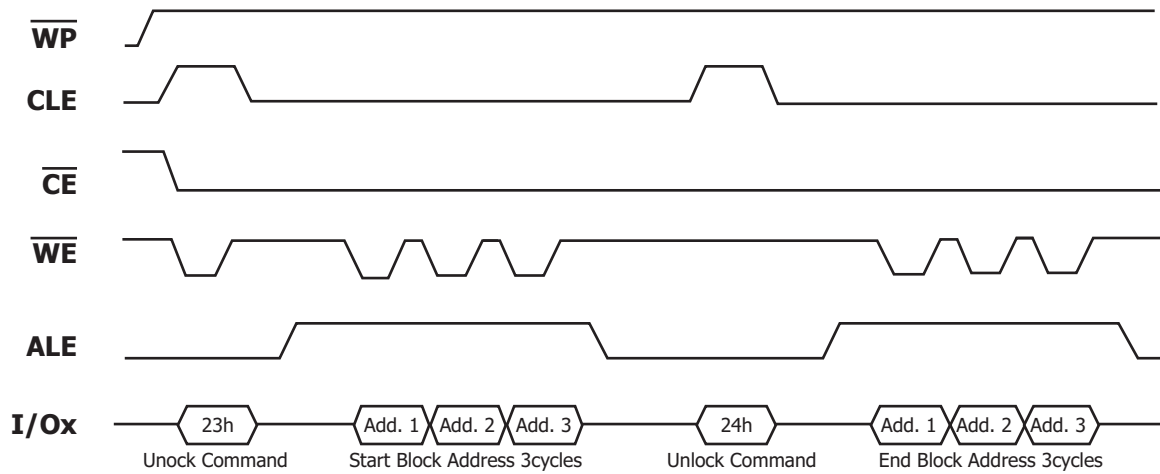


Figure 23: Unlock Command Sequence

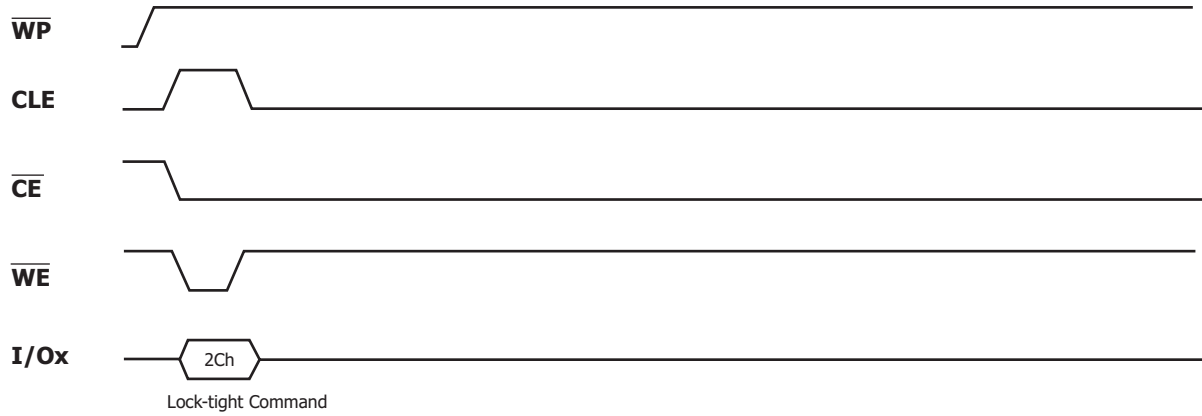


Figure 24: Lock Tight Command

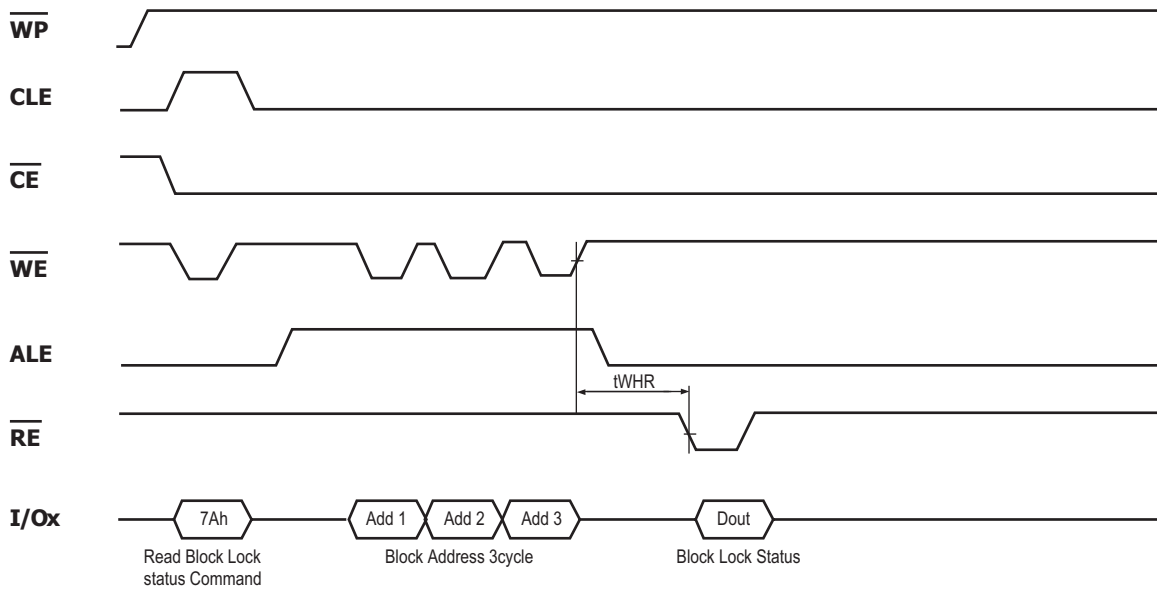


Figure 25: Lock Status Read Timing



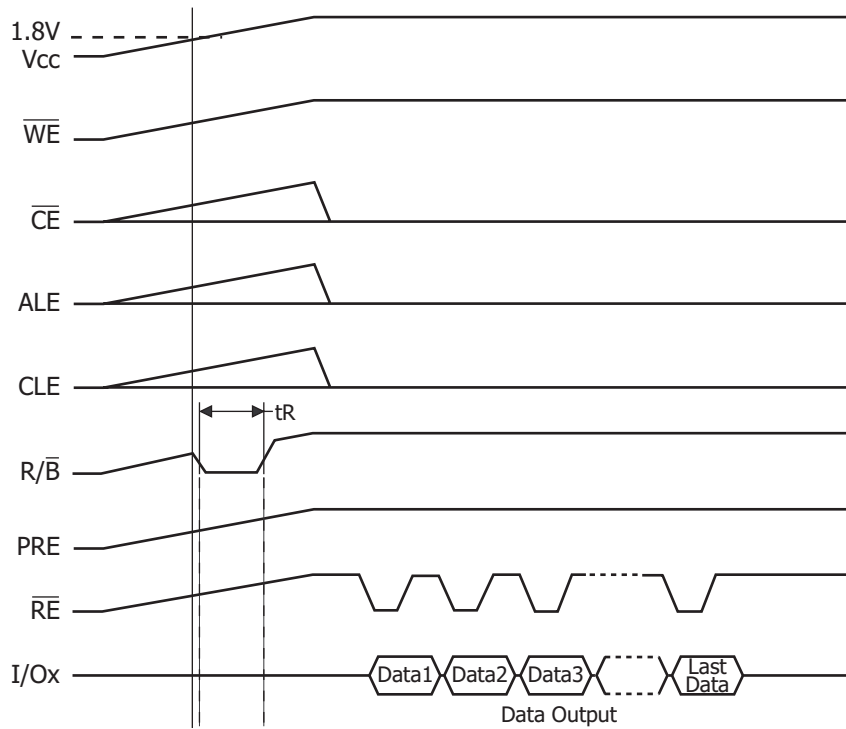


Figure 26: Automatic Read at Power On



Figure 27: Reset Operation

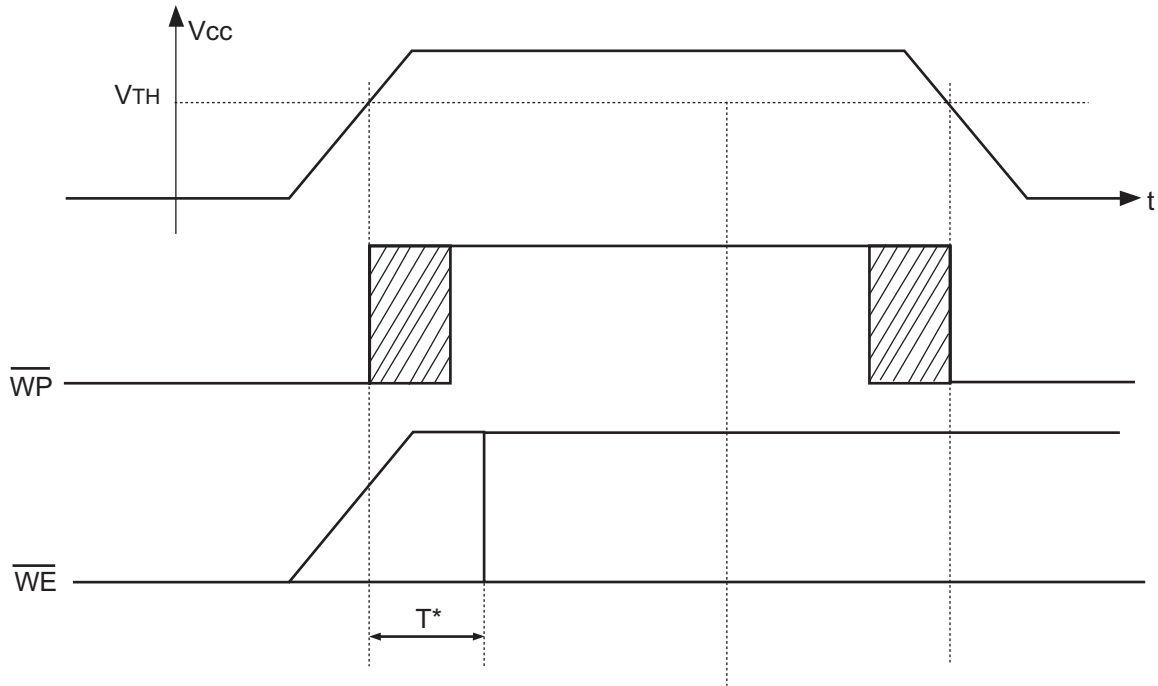


Figure 28: Power On/Off Timing

$V_{TH} = 2.5$  Volt for 3.3 Volt Supply devices

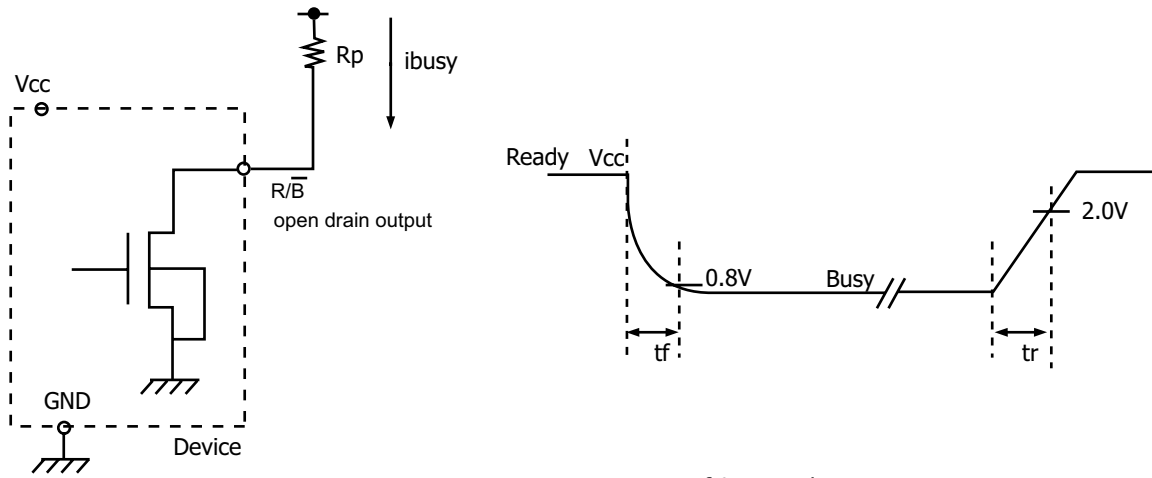
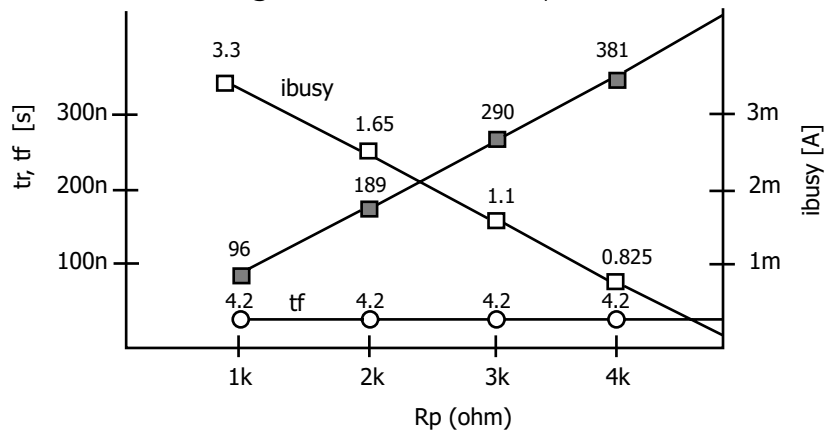


Fig. Rp vs tr, tf & Rp vs ibusy

@ Vcc = 3.3V, Ta = 25°C, CL=100pF



Rp value guidance

$$R_p(\min) = \frac{V_{cc}(\text{Max.}) - V_{OL}(\text{Max.})}{I_{OL} + \sum I_L} = \frac{3.2V}{8mA + \sum I_L}$$

where IL is the sum of the input currents of all devices tied to the R/B pin.

Rp(max) is determined by maximum permissible limit of tr

Figure 29: Ready/Busy Pin electrical specifications

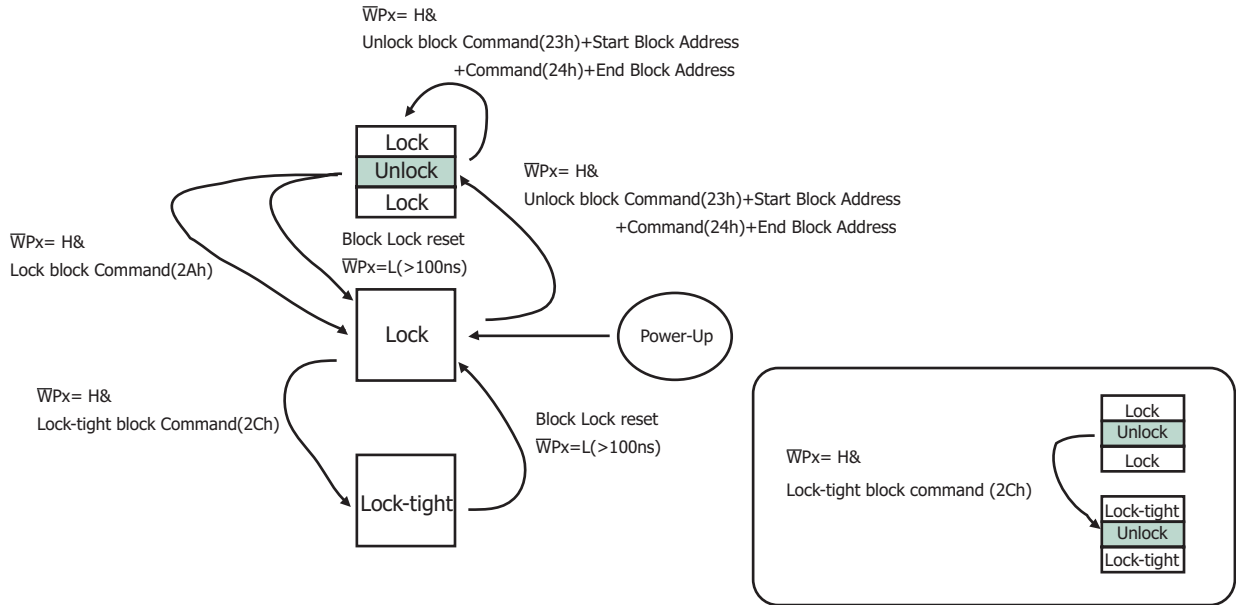


Figure 30: Lock/Unlock FSM Flow Cart

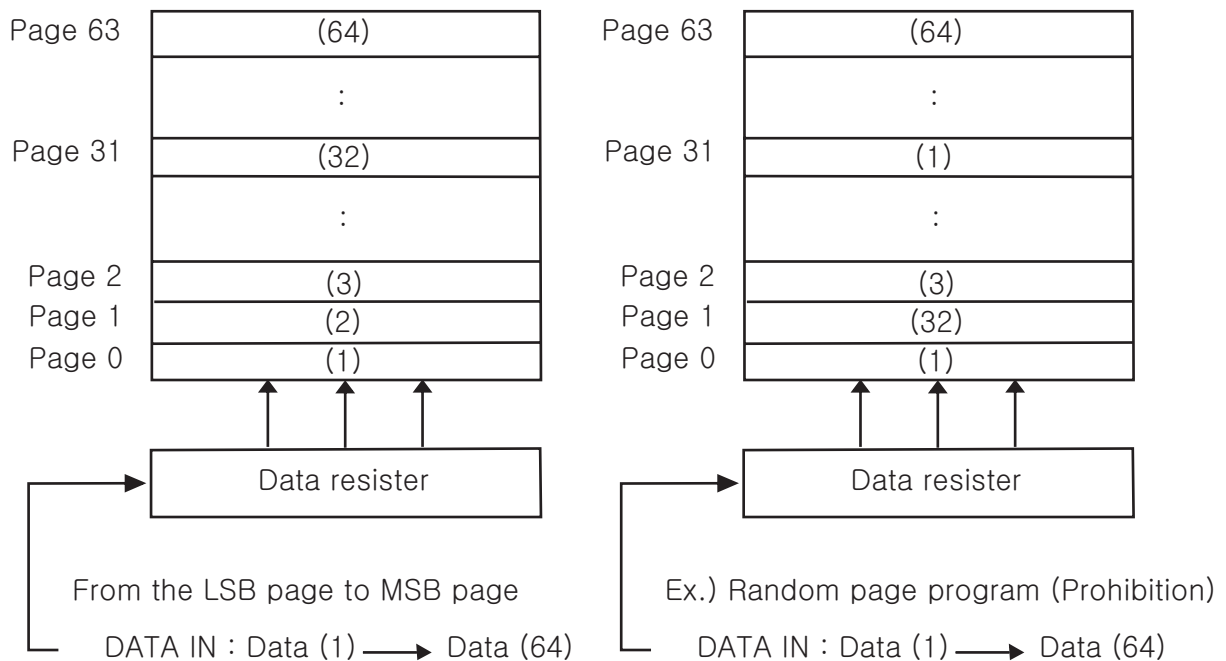


Figure 31: page programming within a block

### Bad Block Management

Devices with Bad Blocks have the same quality level and the same AC and DC characteristics as devices where all the blocks are valid. A Bad Block does not affect the performance of valid blocks because it is isolated from the bit line and common source line by a select transistor. The devices are supplied with all the locations inside valid blocks erased(FFh). The Bad Block Information is written prior to shipping. Any block where the 1st Byte in the spare area of the 1st or 2nd page(if the 1st page is Bad) does not contain FFh is a Bad Block. The Bad Block Information must be read before any erase is attempted as the Bad Block Information may be erased. For the system to be able to recognize the Bad Blocks based on the original information it is recommended to create a Bad Block table following the flowchart shown in Figure 32. The 1st block, which is placed on 00h block address is guaranteed to be a valid block.

### Bad Replacement

Over the lifetime of the device additional Bad Blocks may develop. In this case the block has to be replaced by copying the data to a valid block. These additional Bad Blocks can be identified as attempts to program or erase them will give errors in the Status Register.

As the failure of a page program operation does not affect the data in other pages in the same block, the block can be replaced by re-programming the current data and copying the rest of the replaced block to an available valid block.

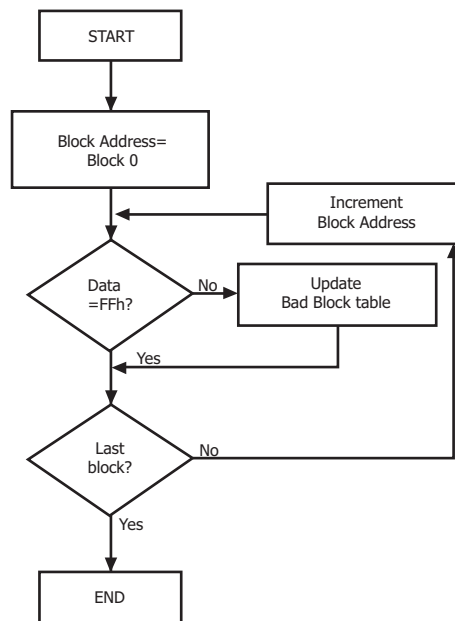
The Copy Back Program command can be used to copy the data to a valid block.

*See the "Copy Back Program" section for more details.*

Refer to Table 18 for the recommended procedure to follow if an error occurs during an operation.

| Operation | Recommended Procedure    |
|-----------|--------------------------|
| Erase     | Block Replacement        |
| Program   | Block Replacement or ECC |
| Read      | ECC                      |

**Table 18: Block Failure**



**Figure 32: Bad Block Management Flowchart**

## Write Protect Operation

The Erase and Program Operations are automatically reset when  $\overline{WP}$  goes Low ( $t_{WW} = 100\text{ns}$ , min). The operations are enabled and disabled as follows (Figure 33~36)

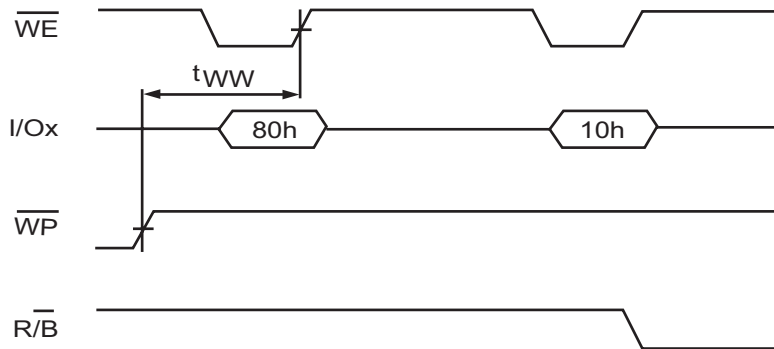


Figure 33: Enable Programming

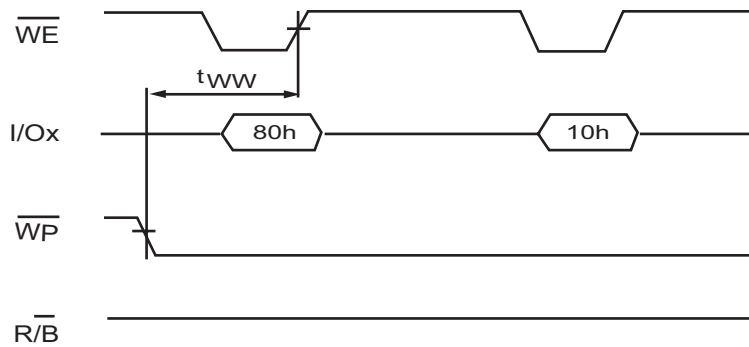


Figure 34: Disable Programming

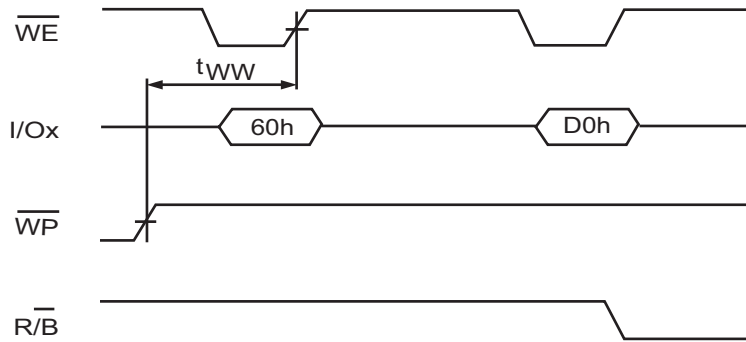


Figure 35: Enable Erasing

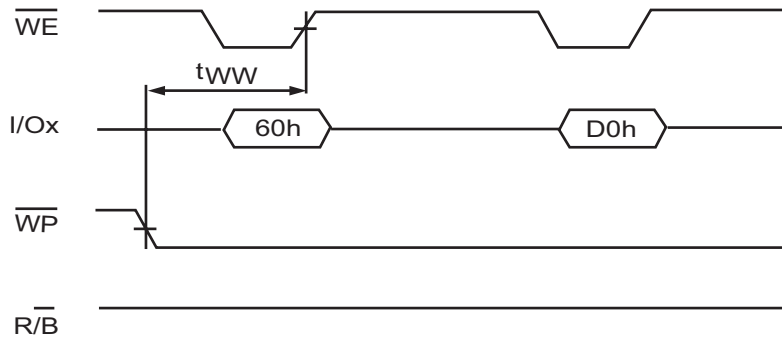


Figure 36: Disable Erasing

## 5. APPENDIX : Extra Features

### 5.1 Automatic Page0 Read after Power Up

The timing diagram related to this operation is shown in Fig. 26

Due to this functionality the CPU can directly download the boot loader from the first page of the NAND flash, storing it inside the internal cache and starting the execution after the download completed.

### 5.2 Addressing for program operation

Within a block, the pages must be programmed consecutively from LSB (least significant bit) page of the block to MSB (most significant bit) page of the block. Random address programming is prohibited. See Fig. 31.

### 5.3 Stacked Devices Access

A small logic inside the devices allows the possibility to stack up to 4 devices in a single package without changing the pinout of the memory. To do this the internal address register can store up to 30 addresses(512Mbyte addressing field) and basing on the 2 MSB pattern each device inside the package can decide if remain active (1 over 4 ) or “hang up” the connection entering the Stand-By.



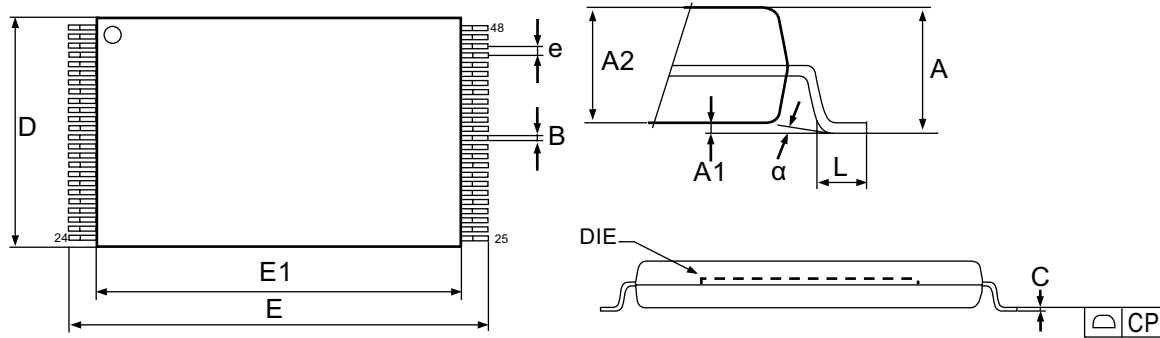


Figure 37. 48pin-TSOP1, 12 x 20mm, Package Outline

| Symbol | millimeters |        |        |
|--------|-------------|--------|--------|
|        | Min         | Typ    | Max    |
| A      |             |        | 1.200  |
| A1     | 0.050       |        | 0.150  |
| A2     | 0.980       |        | 1.030  |
| B      | 0.170       |        | 0.250  |
| C      | 0.100       |        | 0.200  |
| CP     |             |        | 0.100  |
| D      | 11.910      | 12.000 | 12.120 |
| E      | 19.900      | 20.000 | 20.100 |
| E1     | 18.300      | 18.400 | 18.500 |
| e      |             | 0.500  |        |
| L      | 0.500       |        | 0.680  |
| alpha  | 0           |        | 5      |

Table 19: 48pin-TSOP1, 12 x 20mm, Package Mechanical Data

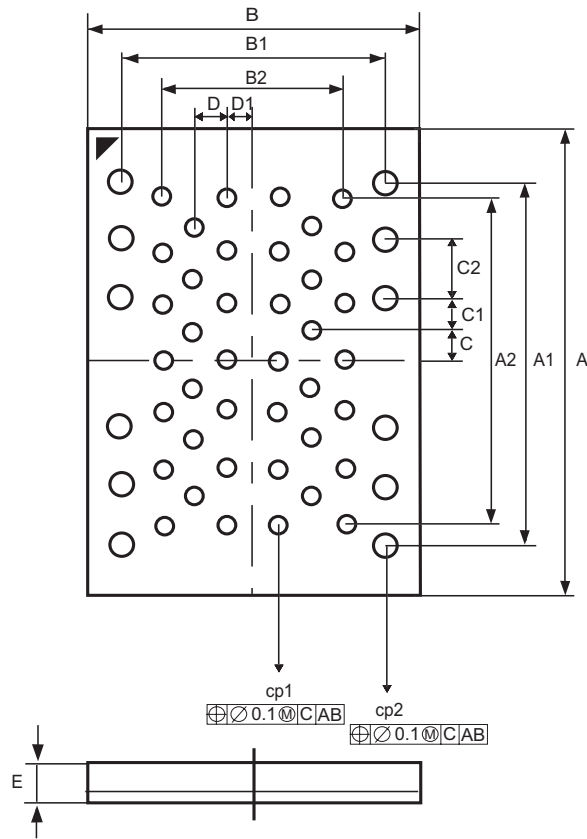
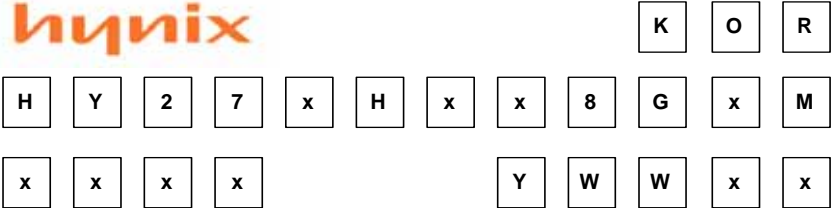


Figure 38. 52-TLGA, 12 x 17mm, Package Outline  
 (Top view through package)

| Symbol | millimeters |       |       |
|--------|-------------|-------|-------|
|        | Min         | Typ   | Max   |
| A      | 16.90       | 17.00 | 17.10 |
| A1     |             | 13.00 |       |
| A2     |             | 12.00 |       |
| B      | 11.90       | 12.00 | 12.10 |
| B1     |             | 10.00 |       |
| B2     |             | 6.00  |       |
| C      |             | 1.00  |       |
| C1     |             | 1.50  |       |
| C2     |             | 2.00  |       |
| D      |             | 1.00  |       |
| D1     |             | 1.00  |       |
| E      | 0.90        | 0.95  | 1.00  |
| CP1    | 0.65        | 0.70  | 0.75  |
| CP2    | 0.95        | 1.00  | 1.05  |

Table 20: 52-TLGA, 12 x 17mm, Package Mechanical Data

**MARKING INFORMATION - TSOP, TLGA**

| Packag                      | Marking Example  |
|-----------------------------|--|
| <p>TSOP1<br/>/<br/>TLGA</p> |  |

|   |  |
|---|--|
| - <b>hynix</b>                                      | : Hynix Symbol   |
| - <b>KOR</b>  | : Origin Country   |
| <hr/>   |  |
| - <b>HY27xHxx8G2M xxxx</b>                          | : Part Number  |
| <b>HY</b> : HYNIX                                   |  |
| <b>27</b> : NAND Flash                              |  |
| <b>x</b> : Power Supply                             | : U(2.7V ~ 3.6V)   |
| <b>H</b> : Classification                           | : Single Level Cell+ Quadruple Die+ Large Block                      |
| <b>xx</b> : Bit Organization                        | : 08(x8)   |
| <b>8G</b> : Density                                 | : 8Gbit  |
| <b>x</b> : Mode                                     | : 2(1nCE & 1R/nB; Sequential Row Read Disable)                       |
|   | : D(Dual interface; Sequential Row Read Disable)                     |
| <b>M</b> : Version                                  | : 1st Generation   |
| <hr/>   |  |
| <b>x</b> : Package Type                             | : T(48-TSOP1), M(52-TLGA)  |
| <b>x</b> : Package Material                         | : Blank(Normal), P(Lead Free)  |
| <b>x</b> : Operating Temperature                    | : C(0°C ~ 70°C), E(-25°C ~ 85°C)<br>M(-30°C ~ 85°C), I(-40°C ~ 85°C) |
| <b>x</b> : Bad Block                                | : B(Included Bad Block), S(1 ~ 5 Bad Block),<br>P(All Good Block)    |
| - <b>Y</b> : Year (ex: 5= year 2005, 06= year 2006) |  |
| - <b>ww</b> : Work Week (ex: 12= work week 12)      |  |
| - <b>xx</b> : Process Code                          |  |
| <hr/>   |  |
| <b>Note</b>   |  |
| - <b>Capital Letter</b>                             | : Fixed Item   |
| - <b>Small Letter</b>                               | : Non-fixed Item   |

## Application Note

### 1. Power-on/off Sequence

After power is on, the device starts an internal circuit initialization when the power supply voltage reaches a specific level. The device shows its internal initialization status with the Ready/Busy signal if initialization is on progress. While the device is initializing, the device sets internal registries to default value and generates internal biases to operate circuits. Typically the initializing time of 20us is required.

Power-off or power failure before write/erase operation is complete will cause a loss of data. The WP# signal helps user to protect not only the data integrity but also device circuitry from being damaged at power-on/off by keeping WP# at VIL during power-on/off.

For the device to operate stably, it is highly recommended to operate the device as shown Fig.38.

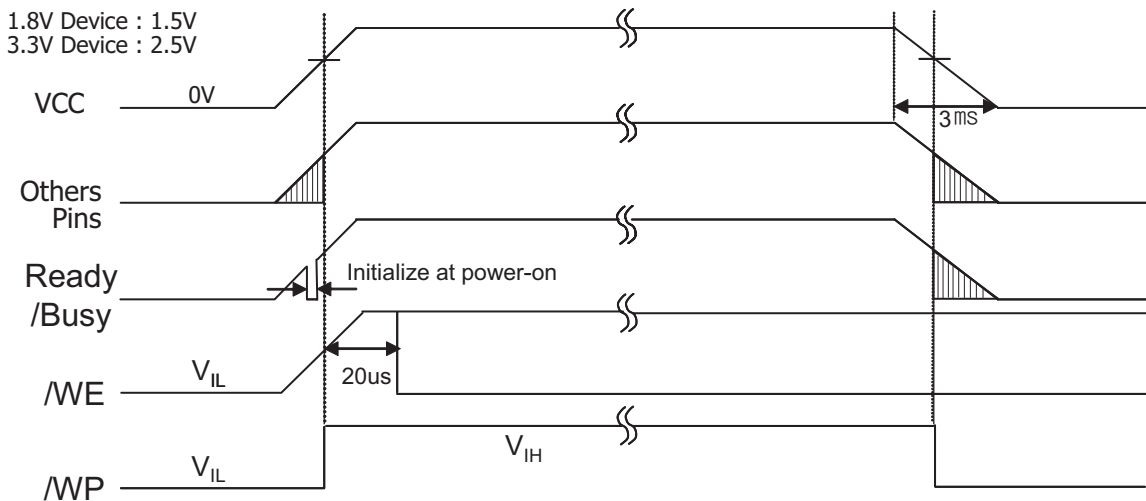


Figure 38: Power-on/off sequence

## 2. Automatic sleep mode for low power consumption

The device provides the automatic sleep function for low power consumption.

The device enters the automatic sleep mode by keeping CE# at VIH level for 10us without any additional command input, and exits simply by lowering CE# to VIL level.

Typically, consecutive operation is executable right after deactivating the automatic sleep mode, while tCS of 2us is required prior to following operation as shown in Fig.39.

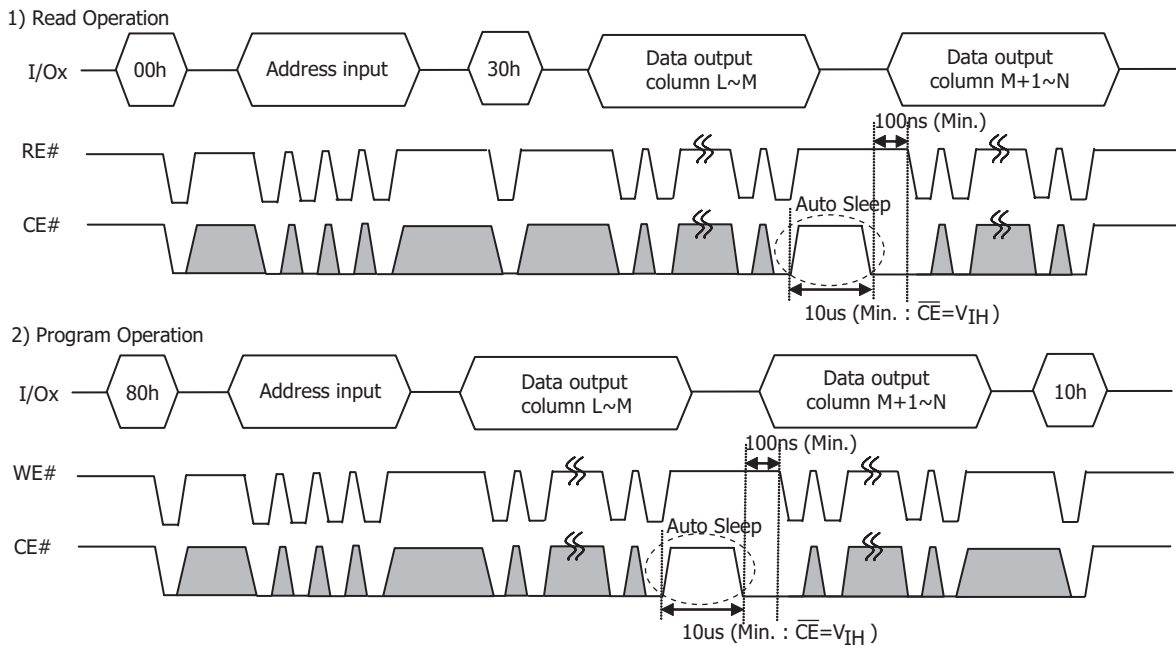


Figure 39: tCS setting when deactivating the auto sleep mode